



Aalborg Universitet

AALBORG UNIVERSITY  
DENMARK

## Interconnected Autonomous AC Microgrids via Back-to-Back Converters-Part II

### *Stability Analysis*

Naderi, Mobin; Khayat, Yousef; Shafiee, Qobad; Dragicevic, Tomislav; Bevrani, Hassan ;  
Blaabjerg, Frede

*Published in:*  
I E E E Transactions on Power Electronics

*DOI (link to publication from Publisher):*  
[10.1109/TPEL.2020.2986695](https://doi.org/10.1109/TPEL.2020.2986695)

*Publication date:*  
2020

*Document Version*  
Accepted author manuscript, peer reviewed version

[Link to publication from Aalborg University](#)

*Citation for published version (APA):*  
Naderi, M., Khayat, Y., Shafiee, Q., Dragicevic, T., Bevrani, H., & Blaabjerg, F. (2020). Interconnected Autonomous AC Microgrids via Back-to-Back Converters-Part II: Stability Analysis. *I E E E Transactions on Power Electronics*, 35(11), 11801-11812. Article 9064600. <https://doi.org/10.1109/TPEL.2020.2986695>

#### **General rights**

Copyright and moral rights for the publications made accessible in the public portal are retained by the authors and/or other copyright owners and it is a condition of accessing publications that users recognise and abide by the legal requirements associated with these rights.

- Users may download and print one copy of any publication from the public portal for the purpose of private study or research.
- You may not further distribute the material or use it for any profit-making activity or commercial gain
- You may freely distribute the URL identifying the publication in the public portal -

#### **Take down policy**

If you believe that this document breaches copyright please contact us at [vbn@aub.aau.dk](mailto:vbn@aub.aau.dk) providing details, and we will remove access to the work immediately and investigate your claim.

# Interconnected Autonomous AC Microgrids via Back-to-Back Converters—Part II: Stability Analysis

Mobin Naderi, *Student Member, IEEE*, Yousef Khayat, *Student Member, IEEE*, Qobad Shafiee, *Senior Member, IEEE*, Tomislav Dragicevic, *Senior Member, IEEE*, Hassan Bevrani, *Senior Member, IEEE*, and Frede Blaabjerg, *Fellow, IEEE*

**Abstract**—In this paper, the stability of voltage source converter-based autonomous AC microgrids (MGs), which are interconnected through back-to-back converters (BTBCs), is analyzed. The small-signal stability analysis is based on a detailed, comprehensive and generalized small-signal modeling of the AC interconnected MGs (IMGs), which is possible for any number of MGs and interconnections. The large-signal stability of the IMGs is investigated for the case of the initial BTBC DC voltage as a part of paper contribution. A new margin/criterion is determined for the initial DC voltage in different situations of the BTBC operation. According to the proposed criterion, a fundamental difference between very weak MGs and conventional strong grids in the BTBC voltage stability is addressed. Using eigenvalue analysis and participation matrix, the main participating state variables and corresponding parameters in the dominant critical modes are recognized for an equilibrium point. Sensitivity analysis involves changing initial values of the state variables, parameters, and forcing functions to study their different values and find acceptable ranges of the parameters. Particularly, the considerable contribution of the BTBC in the critical modes is found out by analyzing the initial DC voltage, DC voltage controller and PLLs. In order to observe possible unstable situations and verify the transient studies, real-time simulations are provided for two and three MGs interconnected through BTBCs using OPAL-RT digital simulator. The IMGs can be robustly stable only by specifying the stabilizing ranges of the sensitive parameters to the critical modes and selecting their appropriate values.

**Index Terms**—Back-to-back converters, dominant critical modes, interconnected AC microgrids, large-signal stability, sensitivity analysis, small-signal stability.

## I. INTRODUCTION

MICROGRIDS have demonstrated the ability to securely operate a set of distributed energy resources (DERs) and increase the renewable energy penetration in the conventional power systems [1]–[3]. They have also improved the

M. Naderi, Y. Khayat, Q. Shafiee, and H. Bevrani are with the Smart/Micro Grids Research Center (SMGRC), University of Kurdistan, Sanandaj, Iran, P.C.: 66177-15175. E-mail: (m.naderi@eng.uok.ac.ir, y.khayat@eng.uok.ac.ir, q.shafiee@uok.ac.ir, and bevrani@eng.uok.ac.ir), website: <https://smgrc.uok.ac.ir/>.

T. Dragičević is with Technical University of Denmark, Copenhagen, Denmark, and F. Blaabjerg is with Department of Energy Technology, Aalborg University, Aalborg, DK, 9220, Denmark. E-mail: (tomdr@elektro.dtu.dk, and fbl@et.aau.dk).

This paper was supported by the Reliable Power Electronic based Power System (REPEPS) project at the Department of Energy Technology, Aalborg University, which is a part of the Villum Investigator Program funded by the Villum Foundation.

supply reliability for the end-use loads in the islanded mode [4], [5]. Furthermore, microgrids (MGs) can be interconnected together to more improve reliability, resiliency, flexibility, sustainability and provide supporting inertia [1], [6]–[8]. AC interconnected microgrids (IMGs) can be constructed either from a number of autonomous MGs for the sake of MG shortage compensation [9]–[13], or from a distribution network due to critical conditions [6], [8], [14]–[16].

Although circuit breakers are usually used for interlinking AC IMGs [8], [11], [14], [15], back-to-back converters (BTBCs) are more flexible interfaces, which result in a separate frequency control of MGs [10], [13], [17]–[20]. Generally speaking, the control and operation of BTBC-IMGs are similar to the multi-area power systems inter-tied through high-voltage DC [20]–[22]. Both systems similarly lead to frequency stability improvement due to eliminating inter-area frequency interactions. However, the voltage strength of the two systems is different. In each area of the conventional power system, many synchronous generators participate in the load supply and inertia support. Furthermore, common load changes are less than 5% of the total supplied load [23]. Therefore, AC voltage of each area is stiff. On the contrary, MG's DERs are mostly inertia-less voltage source converter (VSC)-based units and have a considerable contribution in the load supply. In addition, load steps can be larger than 20% of the total MG load [6]. Hence, each DER outage or load change has a remarkable impact on the MG voltage/frequency, which means a weak grid. Broadly, the AC system weakness is expressed by the short circuit ratio (SCR), which is the ratio of the AC system three-phase short-circuit MVA to the exchanged DC power. The SCR of very weak grids is less than 2 [24]. The transient stability of interlinked weak grids via BTBCs has been investigated [25]–[27]. In such power systems, the BTBC power transfer limit is considered as a stability criterion.

Transient stability of the power system can be analyzed in four general methods, including time-domain, graphical, direct and automatic learning methods [28]. The graphical methods consists of equal-area criterion and phase portrait mostly used in one-machine systems [29]. The direct method employs Lyapunov functions, which is more applicable for low/reduced-order systems [8], [30]. The automatic learning methods benefit from intelligent algorithms such as artificial neural networks to assess transient stability [31]. Usual time-domain assessment criteria are the critical clearing time (CCT)

and the power transfer limit (PTL) [25], [26], [32]. In general, the time-domain methods have been used for MG/IMG transient stability analysis [32], [33], however Lyapunov function [8], bifurcation theory [34], and unsymmetrical fault analysis [35] have been utilized rarely. Another common transient stability assessment method is sensitivity analysis, which is realized by changing the equilibrium point, i.e. parameters or initial values, based on the linearized state space model for systems with low nonlinearity degree, and the nonlinear model for even highly nonlinear systems [28].

The small-signal and transient stabilities of IMGs via circuit breakers (CB-IMGs) have been analyzed in the literature [8], [11], [12], [14], [15], [36]–[39]. An eigen-analysis method is presented in order to determine the suitable range of control parameters for IMG's DERs and to guarantee the IMG stability employing the sensitivity analysis [36]. In [37], the impact of rating/number of DERs and loads, as well as the autonomous MG topology on the IMG stability is investigated. Similar stability analysis is performed to study the impact of different interconnecting points within a distribution network on the IMG formation [14]. Parameter stability margins are also calculated using sensitivity analysis. In a more general method, a parametric criterion for IMG stability is achieved by applying Lyapunov stability on the simplified droop-based IMG model [8], [38]. In contrast, a detailed small-signal model of PV-based IMGs is proposed considering the dynamics of the PV controllers and DC sides [12]. Then, sensitivity analysis is employed to find acceptable parameter ranges affecting the dominant critical modes (DCMs). In [11], authors have presented a two-layer, four-level distributed control strategy for IMGs, then its impact on the small-signal stability is analyzed. Similar work has been presented for a distributed voltage control and power management of IMGs [15]. Authors have simplified the MG model with primary and secondary controllers and have studied their impacts on the IMG small-signal stability.

Stability analysis of BTBC-IMGs is evaluated in [10], [39], [40]. In [10], A specific configuration of MGs is considered in which any autonomous MG has a STATCOM/ESS unit to coordinate its generation with BTBC power exchange. A robust distributed controller is presented for such BTBC-IMGs to damp the oscillatory modes due to interaction of local DER controllers and make the system robust against the parametric uncertainties. A common structure of two autonomous AC MGs interconnected by a BTBC is considered to prove IMG frequency support [40]. Then, time-domain frequency stability analysis is conducted, which shows the frequency independence for BTBC-IMGs during faults. In [39], multiple MGs connected to a strong grid are studied, where the main IMG challenges, e.g. power exchanging do not reveal.

This paper presents the stability assessment for AC BTBC-IMGs in the absence of a stiff grid, including both small-signal and transient stability analyses. Following features draw a clear distinction between this paper and existing works.

- A detailed and comprehensive modeling method is used for IMGs, which can be generalized for any number of MGs. Details of the comprehensive modeling is presented in the Part I of the paper [41].

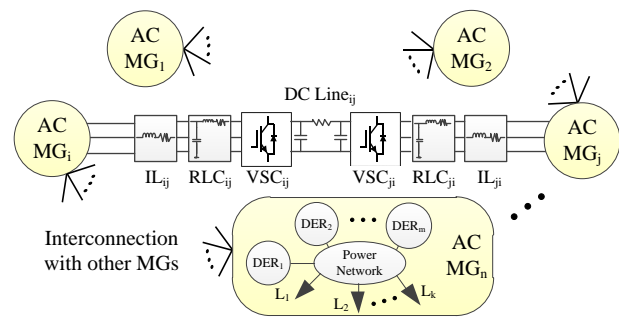


Fig. 1. General structure of interconnected AC MGs through back-to-back converters, DC and AC interlinking lines.

- In the deployed small-signal and transient stability assessments for the IMGs, BTBCs are included as flexible interlinking devices, unlike the existing works in the literature [8], [10]–[12], [14], [15], [36], [37]. The corresponding challenges are introduced using analysis tools, e.g. sensitivity analysis to be more taken into account in future studies including stability analysis and controller design.
- A transient stability assessment for the BTBC DC voltage, during enabling BTBC to exchange power, is developed based on the energy concept. Minimum stabilizing DC voltage criterion (MSDVC) for BTBC-included weak power grids/MGs is proposed as a criterion of time-domain methods. Different aspects of this issue are investigated, e.g. the impact of BTBC power flow direction on the transient stability.
- MSDVC is a powerful transient stability margin for the case of enabling BTBC to exchange power as the large-signal disturbance. However, the common PTL criterion for HVDC/BTBC [25], [26], [32] is used in the case of faults as the large-signal disturbances. Nevertheless, an initial PTL is introduced, which is strongly correlated with MSDVC. Considering the MSDVC allows the BTBC to exchange any power level less than the power rating without instability. Whereas, the initial PTL leads to the same result with a different method.
- Similar to [25]–[27], [42], the role of grid strength on the BTBC stability is discussed. However, in this paper, fully VSC-based very weak IMGs are taken into account, which causes a different phenomenon with respect to strong multi-area power systems, i.e. initial DC voltage transient instability for BTBCs.

The rest of the paper is organized as follows: a summary of the proposed IMG modeling method, depicted in Part I [41], is addressed in Section II. Section III presents the transient stability analysis for the BTBC DC-link voltage. Verifying simulation results for small-signal and transient stability analyses are reported in Section IV, including sensitivity analysis and time-domain outputs, respectively. Section V concludes the paper.

## II. SMALL-SIGNAL MODELING OF INTERCONNECTED MICROGRIDS

A general configuration of AC IMGs comprised of autonomous MGs, AC and DC interlinking lines (ILs), and interconnecting BTBCs is shown in Fig. 1. In the proposed

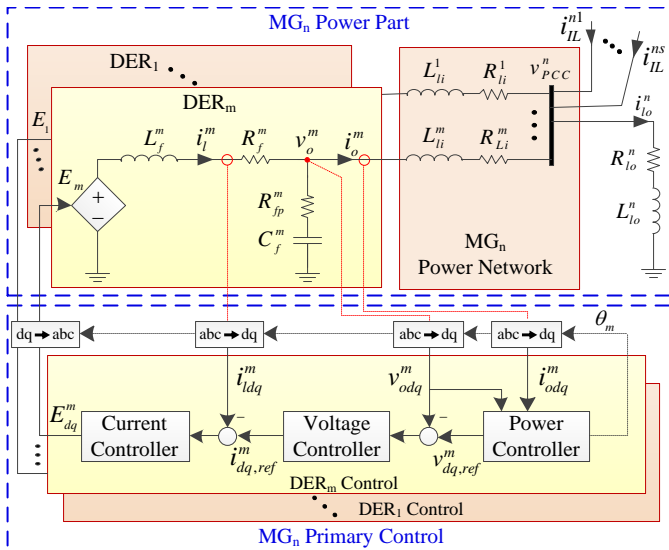


Fig. 2. General structure of autonomous AC MGs, including power part, and primary control modules.

modeling presented in Part I [41], each main module is modeled separately using a state space representation as:

$$\dot{X}_M^k = A_M^k X_M^k + B_M^k U_M^k, \quad (1)$$

$$Y_M^k = C_M^k X_M^k + D_M^k U_M^k, \quad (2)$$

where  $X_M^k$  is the state vector of the  $k$ 'th IMG module i.e.

$$X_M^k \subseteq \{X_{MG}^1, \dots, X_{MG}^n, \dots, X_{IL}^{ij}, \dots, X_B^{ij}, \dots\}, \quad (3)$$

$U_M^k$  is the input vector of  $k$ 'th module determined based on all electrical/control interconnections from other modules.  $Y_M^k$  is all required connections to other modules. The matrices can be calculated for each module according to its components.

### A. Microgrid Modeling

Fig. 2 shows a general structure for autonomous AC MGs. The power part of the typical  $MG_n$  consists of  $m$  DERs,  $m$  AC lines as power network and a lumped RL load. The DERs are assumed as ideal averaging modeled VSCs series with RLC filters. The power network is modeled by series RL branches, which for weak grids  $X/R < 1$  or  $X/R \approx 1$ .

For the sake of individual control of MGs, a primary control level is considered, including  $\omega - P$  and  $v - Q$  droop characteristics, and voltage and current controllers. The droop loops try to share the active/reactive powers among DERs and stabilize the frequency/voltage during disturbances. The voltage control regulates the output DER voltage. The current control is employed to limit the output current of each DER to the converter rating. Due to this necessary duty, MGs are generally very weak grids having an  $SCR < 2$ .

In the modeling method, all mentioned MG components are modeled independently by a state space representation. Then, one can find the overall MG model by interconnecting these partial models exploiting Robust Control Toolbox in MATLAB [41]. Therefore, IMGs with any number and different structures of MGs can be modeled.

### B. Modeling of AC/DC interlinking Lines

AC interlinking lines are considered as series RL branches as shown in Fig. 1 due to their low/medium lengths and DC lines are assumed to be resistive branches. Based on the BTBC position, two AC lines, each one between a MG and the BTBC, and one DC line between the BTBC's VSCs can be considered. The AC lines are modeled as separate IMG modules, however, the resistive DC line is included in the BTBC model.

### C. Back-to-Back Converter Modeling

In order to exchange power between two AC MGs using a BTBC, a power controller and a DC voltage controller should be employed for the BTBC in addition to the individual MG controllers. As shown in Fig. 3, the power controller receives  $P_{ref}^{ij}/Q_{ref}^{ij}$  from the global control level in coordination with both sender and receiver MGs, and tries to exchange it by controlling the VSC<sub>*i*</sub> current. The DC voltage controller stabilizes the DC side voltage  $V_{dc}^j$  by regulating the VSC<sub>*j*</sub> current. Moreover, it should pass the scheduled power forced by VSC<sub>*i*</sub> through VSC<sub>*j*</sub>. Two phase-locked loops (PLLs) are needed to synchronize the AC sides with the MGs.

The detailed dynamic models of the BTBC modules are obtained individually, then the overall BTBC model can be obtained by interconnecting all sub-models [41].

### D. Overall model of Interconnected Microgrids

By modeling IMG modules separately, comprising MGs, BTBCs and interlinking lines, modeling of various IMG structures with any number of MGs is possible. The proposed modeling method based on sub-models and their interconnections leads to a comprehensive and generalized model for BTBC-IMGs. The IMG state space can be represented as:

$$\dot{X}_{IMG} = A_{IMG} X_{IMG}, \quad (4)$$

where  $X_{IMG}$  is the overall state vector as

$$X_{IMG} = \underbrace{[X_{MG}^1 \dots X_{MG}^n]}_{MGs} \underbrace{[\dots X_{IL}^{ij} \dots]}_{ILs} \underbrace{[\dots X_B^{ij} \dots]}_{BTBCs}^T,$$

$A_{IMG}$  can be computed for interconnecting the desired number of MGs, interlinking lines and BTBCs using appropriate functions in Robust Control Toolbox [41].

## III. TRANSIENT STABILITY OF BACK-TO-BACK CONVERTER DC VOLTAGE

According to the results of eigenvalue analysis and participation matrix presented in Part I [41], BTBC DC voltage and its controller are much effective on the IMG small-signal stability. In this section, we want to theoretically prove that this impact is also on the transient stability. Here, large power flow changes are considered as large-signal disturbances.

### A. Energy-based Transient Stability Analysis

During each power exchange, the DC voltage  $V_{dc}^j$  should be settled on the reference  $V_{dc,ref}^j$  in order to form acceptable AC voltages on the BTBC's AC sides (see Fig. 3). Note that tracking the voltage reference should also be in a limited

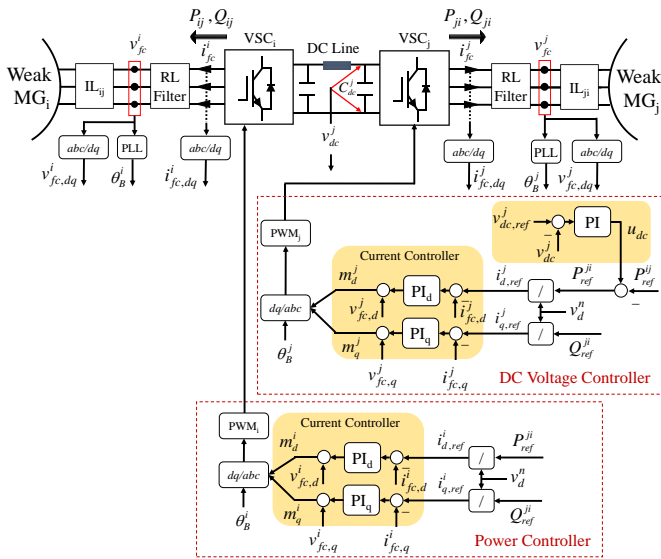


Fig. 3. Conventional PI controller-based power flow control of interlinking back-to-back converters, comprising power and DC voltage controllers.

time interval  $\Delta T_{stab}$  in which the AC voltages are stable. It is due to the weak MGs voltages and their bad effect on the BTBC performance, which is explained in Section III-C. Otherwise, the BTBC AC voltages will be unstable due to the level difference with MGs voltages (e.g.  $V_{PCC}^i$  and  $V_{fc}^i$  for  $VSC_i$  in Fig. 3). In addition, the assumption of  $V_{dc0}^j < V_{dc,ref}^j$  is usually reasonable due to partial capacitor discharges when the BTBC is off. Thus the minimum required energy  $W_{dc}^{\min}$  to stabilize the DC voltage before AC voltage instability is as:

$$W_{dc,j}^{\min} = \frac{1}{2} C_{dc}^j (V_{dc,ref}^j)^2 - V_{dc0}^j)^2 \quad (5)$$

where  $V_{dc0}^j$  is the initial DC voltage before power flow change and (5) is based on the well-known capacitor energy relationship. According to the DC voltage controller duty, the  $VSC_j$  tries to provide  $W_{dc}^{\min}$  by drawing power from the  $MG_j$  in  $\Delta T_{dc}$ . One can give the power-energy relationship as follows:

$$W_{dc,j} = \int_{\Delta T_{dc}} P_{dc,j}(t) dt, \quad (6)$$

where  $\Delta T_{dc}$  is the DC capacitor charging time interval and  $P_{dc,j}$  is the net charging power. As mentioned, in order to preserve stability, the  $\Delta T_{dc}$  should be limited to utmost  $\Delta T_{stab}$ , which is a small time before instability. Therefore, it is easy to recognize  $\Delta T_{dc} \ll 1$  and the average required power can be calculated as:

$$P_{dc,j} = \frac{W_{dc,j}}{\Delta T_{dc}}. \quad (7)$$

By replacing  $W_{dc,j}$  by its minimum value  $W_{dc,j}^{\min}$  and  $\Delta T_{dc}$  by its maximum amount  $\Delta T_{stab}$ , (7) appears as follows:

$$P_{dc0,j} \geq \frac{W_{dc,j}^{\min}}{\Delta T_{stab}}, \quad (8)$$

where 0 in subscript indicate the average power required during  $\Delta T_{dc}$ . By substituting (5) in (8), one can find

$$P_{dc0}^j \geq \frac{1}{2\Delta T_{stab}} C_{dc}^j (V_{dc,ref}^j)^2 - V_{dc0}^j)^2. \quad (9)$$

Then, the  $V_{dc0}^j$  can be achieved as follows:

$$V_{dc0}^j \geq \sqrt{V_{dc,ref}^j)^2 - \frac{2\Delta T_{stab} P_{dc0}^j}{C_{dc}^j}}. \quad (10)$$

This relationship is MSDVC, which shows that the BTBC and generally the IMG system can have a stable operation after enabling the BTBC, if  $V_{dc0}^j$  is greater than or equal to a certain value related to  $V_{dc,ref}^j$ ,  $\Delta T_{stab}$ ,  $C_{dc}^j$ , and  $P_{dc0}^j$ .

## B. MSDVC: Analysis and Discussion

Although the  $V_{dc,ref}^j$  in MSDVC (10) is a constant value, other correlated components can change the value of  $V_{dc0}^j$  as discussed below. The latest subsection deals with a comparison among MSDVC, CCT, and PTL as common transient assessment tools.

1) *Time Interval  $\Delta T_{stab}$* : The DC-link capacitor voltage has ripples with twice frequency of the AC side [43]. The  $V_{dc}^j$  should be stabilized in the first ripples after the event. Otherwise, the AC side voltage disturbance increases and causes instability. In fact, during the stable time interval  $\Delta T_{stab}$ , the  $VSC_j$  output voltage  $E_{C0}^j$  should increase to be approximately equal to  $v_{fc}^j$ , which is equal to  $v_{PCC}^j$  before power exchange. In other words, the stability condition is as

$$E_{C0}^j \Big|_{t \leq \Delta T_{stab}} = v_{PCC}^j, \quad (11)$$

where  $E_{C0}^j$  and  $V_{PCC}^j$  can be obtained as follows [41]:

$$E_{C0}^j = \frac{1}{2} m_0^j V_{dc0}^j, \quad (12a)$$

$$v_{PCC}^j = v_o^m - (R_{li}^m + jL_{li}^m \omega) i_o^m, \quad (12b)$$

where  $m_0^j$  is the input control signal of  $PWM_j$  during  $\Delta T_{stab}$ . (12a) is true for three-phase full-bridge converters and (12b) is obtained according to  $DER_m$  in  $MG_j$  in steady state (see Fig. 2). Note that  $v_{PCC}^j$  is an acceptable value less than the nominal AC voltage due to the voltage drop of the DER lines and V-Q droop coefficients.

In stability condition (11),  $m_0^j$  is only variable that can be manipulated to accelerate the increment of  $E_{C0}^j$  to be stable.  $m_0^j$  is a function of  $\Delta T_{stab}$ , which can be found easily according to the DC voltage controller block diagram in Fig. 3. It is obvious that increasing both proportional and integral gains of both current and  $v_{dc}^j$  controllers can accelerate the increase of  $E_{C0}^j$ . However, such a gain increase is not practical. Because, the gains are limited to the small-signal stability, which is shown in the sensitivity analysis results. Therefore,  $\Delta T_{stab}$  is hard to be controlled due to lack of independent controller. In fact, it is affected by the current and  $v_{dc}^j$  controllers, which should be limited for other control/stability objectives. Moreover, according to (12b), MG voltages and currents are as the disturbances for finding  $\Delta T_{stab}$ . Hence, it is also hard to be calculated. Finally,  $\Delta T_{stab}$  cannot be selected neither as a transient stability criteria nor an accessible variable to find easily its impact on MSDVC.

2) *Capacitance of the  $C_{dc}^j$* : It is based on the ability to regulate the DC voltage under transient disturbances. Larger values of  $C_{dc}^j$  leads to more required energy to charge it, but the settled voltage is robust against larger disturbances. Therefore, lower values of  $C_{dc}^j$  are appropriate in terms of MSDVC. However, the capacitance cannot be selected just based on MSDVC.

3) *Injected Power to the DC Link ( $P_{dc0}^j$ )*: According to MSDVC, the larger  $P_{dc0}^j$  permits the smaller values of  $V_{dc0}^j$  to stabilize the DC link voltage. In other words, the  $P_{dc0}^j$  increment results in a larger transient stability margin for BTBC-IMGs. According to the active power balance of BTBC DC and AC sides and neglecting switching losses,  $P_{dc0}^j$  can be given as follows using Part I relationships [41]:

$$P_{dc0}^j = P_{dc0}^{line} - P_{ji0} = -(P_{dc0}^i + P_{ij0}) - P_{ji0}, \quad (13)$$

where  $P_{dc0}^{line}$  is the DC line power,  $P_{dc0}^i$  is the initial VSC<sub>i</sub> capacitor power, and  $P_{ij0}$  and  $P_{ji0}$  are the VSC<sub>i</sub> and VSC<sub>j</sub> initial active powers in the AC side, respectively as shown in Fig. 3, which can be calculated as follows:

$$P_{ij0} = E_{C0}^i i_{IL0}^{ij} = \frac{1}{2} m_0^i V_{dc0}^i i_{IL0}^{ij} \quad (14a)$$

$$P_{ji0} = E_{C0}^j i_{IL0}^{ji} = \frac{1}{2} m_0^j V_{dc0}^j i_{IL0}^{ji} \quad (14b)$$

where  $i_{IL0}^{ij}$  and  $i_{IL0}^{ji}$  are the initial three-phase currents of VSC<sub>i</sub> and VSC<sub>j</sub>. Regarding (13), (14a), and (14b), following points can be extracted.

i) Terms  $P_{dc0}^i$  and  $P_{ij0}$  in (13) are as the disturbances in controlling  $V_{dc0}^j$ . It is reasonable to consider same value and initial condition for both  $C_{dc}^i$  and  $C_{dc}^j$  due to same VSCs and same nominal AC voltages. Therefore,  $C_{dc}^i$  needs same initial power, i.e.  $P_{dc0}^i = P_{dc0}^j$ . As a result,  $C_{dc}^i$  cannot be an appropriate contributor in providing  $P_{dc0}^j$ . However,  $P_{ij0}$  can be an effective contributor with a dual behaviour according to the power flow direction, which is illustrated in Section III-D.

ii) Another important point is the presence of  $V_{dc0}^j$  in  $P_{ji0}$  (14(b)). Although  $m_0^j$  is only controllable signal to increase  $V_{dc0}^j$ , in an instability situation, the term  $V_{dc0}^j$  can resonate the instability.

iii) Equations (14a) and (14b), and also  $m_i$  and  $m_j$  shown in Fig. 3 express the nonlinear behaviour of the BTBC-IMGs at the beginning of power exchange. Furthermore, they show the complexity and hardness of analytical calculation due to nonlinear relationships and many contributing variables. Hence, the problem of initial BTBC DC voltage in interconnected weak MGs can be listed below the transient stability assessment, which MSDVC is presented for and considered as an appropriate analysis method. Note that enabling BTBC to flow power between MGs is as the large-signal disturbance.

4) *MSDVC Comparison with Common Transient Stability Criteria*: Generally, the transient stability analysis has been presented for fault occurrence as the common large-signal disturbance. Two common assessment criteria are CCT and PTL. For a fault and given operating condition, CCT is defined as the maximum fault duration, while the power system is still transiently stable [44]. PTL is the maximum power flow through an interface device, e.g. an BTBC, while the power

system is still transiently stable. CCT is usually used for AC power flow through AC lines. However, transient stability of DC power exchange through HVDC/BTBC is analyzed by PTL [26]. According to the third point of the previous subsection and definitions of CCT and PTL, it is easy to find their different applications with respect to MSDVC. CCT and PTL have been used to assess the transient stability after a fault occurrence. However, MSDVC is useful to assess the transient stability after a BTBC connection to exchange power.

A relationship can exist between PTL and MSDVC. In the case of MSDVC application, the initial DC voltage of BTBC is calculated for a given acceptable level of power exchange ( $P_{ref}^{ij}$ ), which is realized by  $P_{ij0}$  in (13) and then (10). One can adapt the initial PTL  $P_{ij0}$  based on a given  $V_{dc0}^j$ , which in turn, changes  $P_{ref}^{ij}$ . In this case, the initial PTL will be the transient stability criterion instead of MSDVC.

In (13),  $P_{ij0}$  is the initial power exchange to find the initial PTL and  $P_{ji0}$  is a combined impact of the  $V_{dc}^j$  controller output ( $u_{dc}$ ) and  $-P_{ref}^{ij}$ , which is applied by  $m_0^j$ . One can find  $m_0^j$  according to the DC voltage controller block diagram shown in Fig. 3 and calculate  $P_{ji0}$  through (14b). Regarding several multiplications, it is obvious that  $P_{ji0}$  is a nonlinear function of the current controller inputs  $u_{dc}$  and  $-P_{ref}^{ij}$  as follows:

$$P_{ji0} = f_{NL}(u_{dc} - P_{ref}^{ij}), \quad (15)$$

where  $NL$  in the subscript of  $f$  indicates its nonlinearity. By substituting (13) and (15) in (9) and rearranging, the initial PTL can be achieved as:

$$P_{ij0} \leq \frac{1}{2\Delta T_{stab}} C_{dc}^j (V_{dc,ref}^j{}^2 - V_{dc0}^j{}^2) + P_{dc0}^i - f_{NL}(u_{dc} - P_{ref}^{ij}). \quad (16)$$

This relation proves an initial PTL for which the BTBC-IMGs remain transiently stable for a given  $V_{dc0}^j$ .

Note that both MSDVC and initial PTL try to maintain transient stability during BTBC connection. In the case of using MSDVC, the BTBC can be connected with each given power exchange just by pre-charging the DC capacitor to the required DC voltage, and then enabling the BTBC to exchange power. Whereas, by using initial PTL, the initial BTBC power reference is firstly set to be acceptable based on (16) for the given initial DC voltage. After capacitor full-charge, the reference can be modified to the desired value.

### C. Grid Strength Impact

It is notable to mention that there is a considerable difference in the case of  $P_{dc0}^j$  value between weak VSC-based IMGs and strong conventional power grids. After connecting the VSC<sub>j</sub> to the MG<sub>j</sub> in order to exchange power, the charging power begins to flow from the MG<sub>j</sub> into the VSC<sub>j</sub>. According to Fig. 3, this power can be calculated as:

$$S_{ac0}^j = \left| v_{fc,0}^j \left( \frac{v_{fc,0}^j - E_{C0}^j}{R_{fc}^j + jX_{fc}^j} \right)^* \right|, \quad (17)$$

In the most severe case i.e.  $V_{dc0}^j = 0$ , the  $S_{ac0}^j$  equals to the short circuit level of the power system at the PCC ( $S_{SC,j}^{pcc}$ ).

TABLE I. BACK-TO-BACK CONVERTER POWER EXCHANGE IMPACT ON MSDVC

Situation	$P_{dc0}^j$	$V_{dc0}^j$	Stability margin
Power flow from $MG_j$ to $MG_i$	$S_n^j - S_{dc0}^i$	Increase	Low
Power flow from $MG_i$ to $MG_j$	$S_n^j + S_{dc0}^i$	Decrease	High
DC voltage stabilization before power exchange	$S_n^j$	Base case	Medium

Nevertheless, it equals to the  $MG_j$  rating ( $S_n^j$ ) for weak VSC-based IMGs due to the current-limiting function employed on the DER current controllers. Since  $S_{SC,j}^{pcc} \gg S_n^j$ , the stabilizing initial DC voltage for conventional power systems can be much smaller than VSC-based IMG's one according to the MSDVC. As an important result, the transient stability of initial DC voltage for conventional power systems is less challenging than weak VSC-based IMGs.

#### D. Power Flow Direction of Back-to-back Converter

Another important point is the impact of the  $VSC_i$  power direction on the MSDVC. Table I shows different situations for the BTBC power flow and their impacts on the MSDVC. In the worst case, where the power should be sent from the  $MG_j$  to the  $MG_i$ , the net injected power to the DC link is decreased to  $S_n^j - S_{dc0}^i$ . Thus the stability margin of the  $V_{dc0}^j$  is decreased based on the MSDVC. In other words, the  $V_{dc0}^j$  should be more close to the  $V_{dc,ref}^j$  in order to be stabilize after the transient. In contrast, the net injected power to the DC link is increased to  $S_n^j + S_{dc0}^i$  in the case of power transfer from the  $MG_i$  to the  $MG_j$ . Hence, the stability margin is increased. A third case in Table I is related to enabling the  $VSC_j$  before the power exchange. This BTBC operation strategy leads to a medium stability margin in accordance with previous cases.

The transient stability analysis presented in the form of MSDVC is a necessary primary step for designing the DC voltage controller of BTBCs in weak BTBC-IMGs considering the initial DC voltage challenge. The designer can focus on each participant variable, including  $\Delta T_{dc}$ ,  $C_{dc}^j$ , and  $P_{dc0}^j$  to improve the stability. As a simple solution, the DC voltage can be stabilized by enabling  $V_{dc}$  controller before power exchange. Another solution is to design a robust DC voltage controller, which can be stable for a range of initial DC voltages as the uncertainty. Note that the control design is outside the paper scope and can be done in future works.

## IV. SIMULATION RESULTS

In this paper, two case studies such as an IMG consisting of two autonomous AC MGs interconnected through one BTBC (Case study 1) and an IMG consisting of three autonomous AC MGs interconnected through three BTBCs (Case study 2), shown in 4, are simulated in both Editor/MATLAB and OPAL-RT digital simulator. The details of the real-time OPAL-RT simulator are expressed in Part I [41]. Each MG structure is as shown in Fig. 2. The information of the simulated BTBC-IMGs are presented in Table II, except the interlinking line impedances displayed in Fig. 4. The state matrix  $A_{IMG}$  is calculated numerically for both IMGs.  $A_{2IMG}$  is a  $81 \times 81$  matrix and  $A_{3IMG}$  is a  $159 \times 159$  matrix.

TABLE II. POWER AND CONTROL DATA OF CASE STUDIES 1 AND 2

Parameters	Symbol	Value
<b>General features</b>		
Nominal phase voltage	$v_n$	326 V
DC link voltage	$v_{dc}$	780 V
Nominal frequency	$\omega_n$	$100\pi$ rad/s
<b>Back-to-back converters</b>		
DC capacitor	$C_{dc}$	$600 \mu F$
DC resistance	$R_{dc}$	$0.1 \Omega$
CC proportional gain	$K_p^{CC}$	20
CC Integral gain	$K_i^{CC}$	300
Proportional gain of $V_{dc}$ controller	$K_p^{DVC}$	5
Integral gain of $V_{dc}$ controller	$K_i^{DVC}$	1787
<b>RLC filter for all converters</b>		
Series inductance	$L_f/L_{fc}$	1.08/2 mH
Series resistance	$R_f/R_{fc}$	0.05/1 $\Omega$
Shunt capacitance	$C_f/C_{fc}$	10 $\mu F$
<b>Microgrids</b>		
MG rated power	$S_{MG}$	3354 VA
Microgrid number		1 2 3
Active load (W)		1500 1800 900
Reactive load (VA)		750 900 450
<b>DERs</b>		
		1 2 1 2 1 2
Line ind. (mH)	$L_{li}$	10.6 5 5 2.5 8.5 4.2
Line res. ( $\Omega$ )	$R_{li}$	1.6 0.8 1.2 0.6 1.5 0.7
$\omega - P$ droop gain (rad/kW.s)	$m_p$	1.6 0.8 1.6 0.8 1.6 0.8
$V - Q$ droop gain (10V/kVAr)	$n_q$	6.5 3.2 6.5 3.2 6.5 3.2
		$K_P$ $K_I$
PI voltage controller		0.05 20
PI current controller		30 500

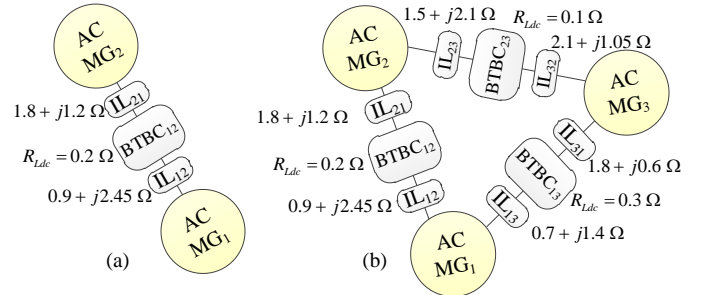


Fig. 4. The structure of the simulated interconnected MGs: (a) Case study 1: two autonomous AC MGs interconnected through one BTBC, (b) Case study 2: three autonomous AC MGs interconnected through three BTBCs.

Several analyses and simulations are carried out to identify the dynamic behavior of BTBC-IMGs and assess their stability. Using eigenvalue analysis and participation matrix, the impact of each module on the dynamic IMG modes have been specified in Part I [41]. Specially, remarkable contributions of the BTBC parameters e.g. DC voltage controller in the DCMs are identified. Here, sensitivity analysis, as a complementary tool for small-signal stability analysis, is applied on the main participants in the DCMs to find the critical values and acceptable ranges of parameters. Moreover, time-domain simulations verify the theoretical transient stability analysis in Section III and the sensitivity analysis results in Section IV-A.

#### A. Sensitivity Analysis

1) *DC Side and Voltage Controller of Back-to-back Converter:* Table III shows the participation factors for the DC side and its controller in the Case study 1. The non-dominant mode is only impacted by the DC side parameters. However,

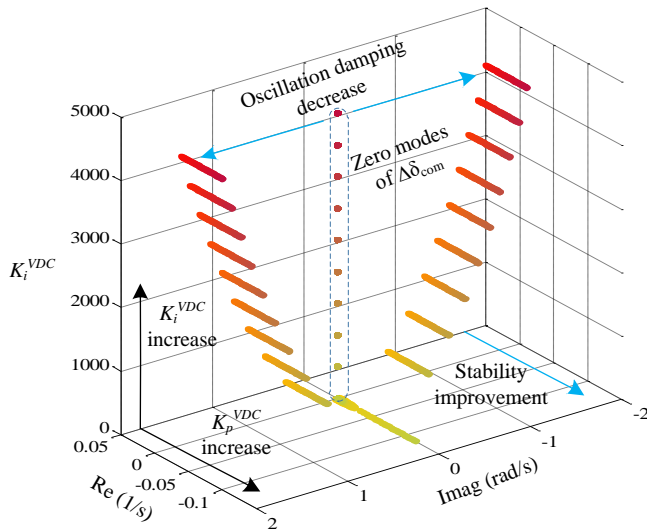


Fig. 5. Sensitivity analysis output for the BTBC voltage controller parameters:  $0.1 < K_p^{DVC} < 200$ ,  $1 < K_i^{DVC} < 4000$ , and  $R_{Ldc} = 0$ .

TABLE III. PARTICIPATION MATRIX FOR BTBC DC SIDE

State variable	Dynamic modes		
	$\lambda_{23} = -16667$	$\lambda_{70} = j1.05$	$\lambda_{71} = -j1.05$
$\Delta X_{dc1}$	0.5	0.249	0.249
$\Delta X_{dc2}$	0.5	0.249	0.249
$\Delta X_{DVC}$	0	0.499	0.499
Other	0	<0.003	<0.003

the DCMs are related to both power and control parts of the DC link. Fig. 5 indicates the trajectory of the  $\lambda_{70,71}$  for changing the DC voltage controller parameters as  $0.1 < K_p^{DVC} < 200$  and  $1 < K_i^{DVC} < 4000$ . As a general result, increasing the  $K_p^{DVC}$  results in a low stability improvement, and an increase in  $K_i^{DVC}$  leads to reduced oscillation damping. In order to maintain stability, the  $K_p^{DVC}$  must be chosen larger in relation to a larger  $K_i^{DVC}$ . For instance, in the case of  $K_i^{DVC} = 1778$ , the dominant frequency modes are stable just for  $K_p^{DVC} > 7.7$ . Note that the DCMs are not very sensitive to the DC side elements. However, all resistive elements, e.g.  $R_{Ldc}$  improve the stability.

2) *PLLs of Back-to-back Converter*: Fig. 6 shows the loci of BTBC PLL-affected eigenvalues for changing parameters as  $0.01 < K_p^{PLL} < 1$  and  $0.1 < K_i^{PLL} < 5$  in the Case study 1. In accordance with the two oscillatory modes one can conclude: i) when the  $K_p^{PLL}$  increases, the stability boundary improves. However, it decreases the oscillation damping for all values of  $K_i^{PLL}$ . ii) Very low values of  $K_p^{PLL}$  cause instability. iii) The  $K_i^{PLL}$  increment causes instability for low  $K_p^{PLL}$  values. For the stable non-oscillatory mode, the damping improves by decreasing  $K_p^{PLL}$  and/or increasing  $K_i^{PLL}$ . In order to satisfy a degree of robust stability and a specified value of the oscillation damping ( $\zeta = 0.1$  [12]), acceptable ranges of the PLL parameters can be found, e.g. for Case study 1 as  $0.2 \leq K_p^{PLL} \leq 0.7$  and  $0.5 \leq K_i^{PLL} \leq 2$ .

3)  *$\omega - P$  droop characteristic*: The  $m_p$  changes by DER rating ( $S_{DER}$ ) variation at a constant  $\Delta\omega_{max}$ , which in turn is related to MG rated power ( $S_{MG}$ ). Fig. 7 shows the DCM trajectories for  $335.4 \text{ VA} < S_{MG2} < 33.5 \text{ kVA}$  and  $\Delta\omega_{max} = 1.57 \text{ rad/s}$ .  $S_{MG2} < 420 \text{ VA}$  causes a severe instability based

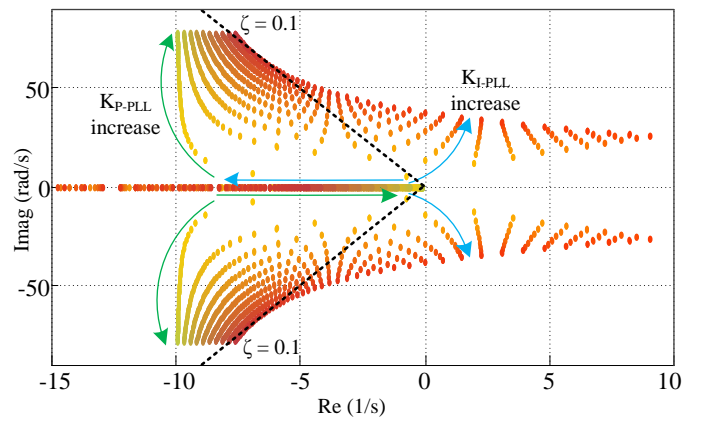


Fig. 6. Sensitivity analysis output for phase-locked loop parameters:  $0.01 < K_p^{PLL} < 1$  and  $0.1 < K_i^{PLL} < 5$ .

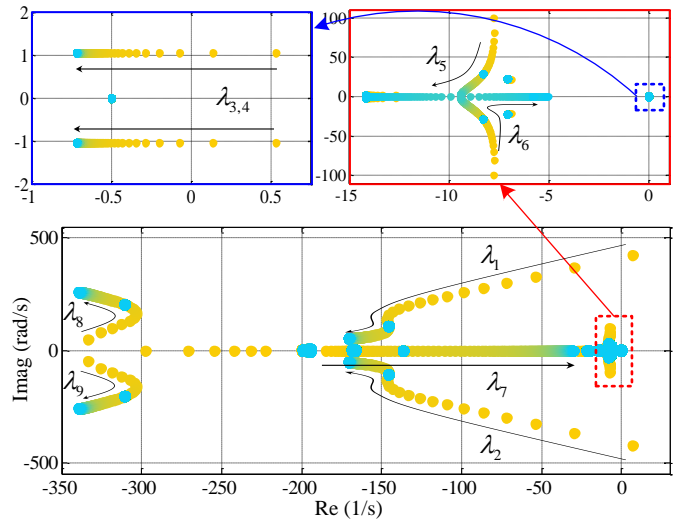


Fig. 7. Sensitivity analysis output for MG2 rating as  $335.4 \text{ VA} < S_{MG2} < 33.5 \text{ kVA}$ ,  $\Delta V_{max} = 32.6 \text{ V}$  and  $\Delta\omega_{max} = 1.57 \text{ rad/s}$ .

on  $\lambda_{1,2}$  and  $S_{MG2} < 3051 \text{ VA}$  ( $m_{p1}^{MG2} > 1.73 \text{ rad/kW.s}$  or  $m_{p2}^{MG2} > 0.86 \text{ rad/kW.s}$ ) causes a very slow instability based on  $\lambda_{3,4}$ . The droop gain upper limits are already demonstrated for autonomous MGs [45] and CB-IMGs [12], [14].

4) *Initial DC Voltage ( $V_{dc0}^2$ )*: The  $V_{dc0}^2$  should be provided by a supplementary controller e.g. using a parallel battery with  $C_{dc2}$ , which will be bypassed after precharging. Fig. 8 shows the sensitivity analysis outputs for  $100 \text{ V} < V_{dc0}^2 < 800 \text{ V}$  in the Case study 1. According to Fig. 8(a), some medium-frequency modes  $\lambda_{16-21}$  improve the stability by increasing the  $V_{dc0}^2$ . In addition, improved IMG stability margin can be seen in Fig. 8(b) in accordance with  $\lambda_{10-15}$  by increasing the  $V_{dc0}^2$ . Although, the  $\lambda_{8,9}$  decrease the system damping. Fig. 8(c) shows the DCMs  $\lambda_{3-7}$ , where are maintained stable for all values of the  $V_{dc0}^2$ . Nevertheless, the DCMs  $\lambda_{1,2}$  can be stable only for  $V_{dc0}^2 > 750 \text{ V}$  as shown in Fig. 8(d).

This instability is due to the DC voltage controller inability in charging the  $C_{dc2}$  before disturbing the AC sides. In fact, the MSDVC is exceeded. It is noteworthy that the sensitivity analysis outputs in Fig. 8 is not only useful to show the impact of the  $V_{dc0}^2$ , but also convenient to generally express the participation of the BTBC DC voltage in the IMG stability.

5) *Comparison Between Two and Three Interconnected Microgrids*: Fig. 9 shows the sensitivity analysis results for



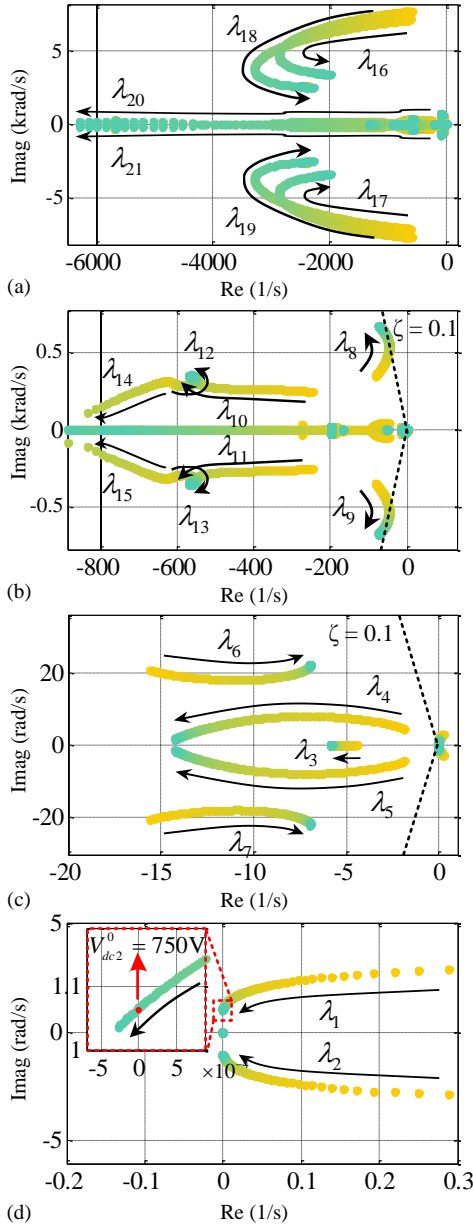


Fig. 8. Sensitivity analysis output for  $100 \text{ V} < V_{dc2}^0 < 800 \text{ V}$  in different frequency ranges: (a) large frequencies, (b) medium frequencies, (c) stable low frequency modes, (d) unstable low-frequency modes for  $V_{dc2}^0 > 750$ .

changing  $K_i^{PLL}$  of BTBC<sub>12</sub> from 0.1 to 5. In both Case studies 1 and 2,  $\lambda_{1,2}$  behave similarly. In the Case study 2,  $\lambda_{4,5}$  and  $\lambda_{6,7}$ , related to BTBC<sub>13</sub> and BTBC<sub>23</sub> respectively, have a low tendency to be unstable. The  $\lambda_{8-10}$  are independent from changing the  $K_i^{PLL}$  completely and other,  $\lambda_{11-14}$  and their conjugated modes, have a negligible sensitivity to it. Therefore, by changing an effective parameter of one of BTBCs on the DCMs, a considerable interaction cannot be observed among BTBCs themselves and the MGs. In addition, the number of IMGs cannot affect this interaction.

6) *Number of Interconnected Microgrids*: By increasing the number of IMGs, the structure of the AC passive elements changes and the number of on-mission control instruments increases. According to the eigenvalue analysis and participation matrix results presented in Part I [41], for the case of two IMGs, the AC passive elements e.g. RLC filters, do not have

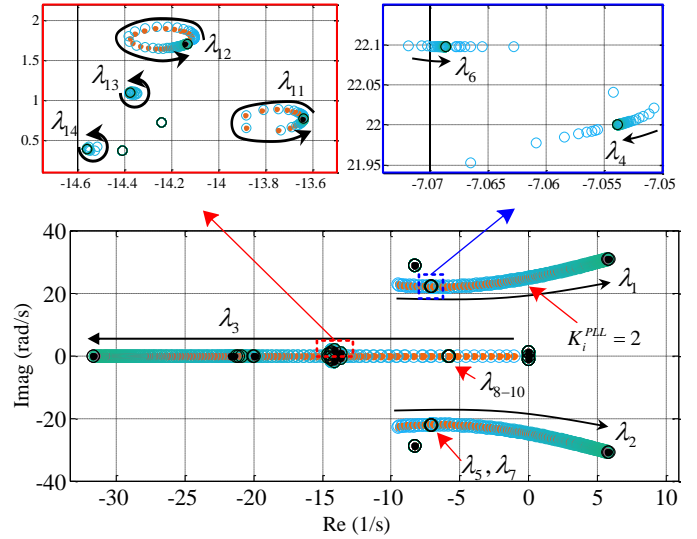


Fig. 9. Sensitivity analysis output when the BTBC<sub>12</sub>'s  $K_i^{PLL}$  varies from 0.1 to 5 for Case study 1 (points), and Case study 2 (circles).

a considerable impact on the DCMs. In addition, parametric changes of the control modules have approximately the same impact on the different number of IMGs. Fig. 9 shows this fact for the Case studies 1 and 2. It can be realized simply for more IMGs using the proposed modeling method. As a pleasant result, the dominant modes are not sensitive to the number of IMGs. On the other hand, increment of on-mission control instruments specially BTBCs leads to an increase in the number of DCMs, which in turn, decreases the IMG security.

## B. Time-Domain Simulations

1) *Frequency Instability for Case Study 1*: Fig. 10 shows some outputs of the Case study 1, where the MGs are isolated until  $t = 0.5 \text{ s}$ . They are connected hereafter with  $K_i^{PLL2} = 0.5$  to exchange 800 W from MG<sub>2</sub> to MG<sub>1</sub>, which results in a stable operation. The  $K_i^{PLL2}$  is increased to 2.5 at  $t = 2 \text{ s}$ . According to Fig. 10(a), DER and PLL frequencies indicate a slow instability due to exciting correlated DCMs to the BTBC<sub>12</sub> PLL shown in Fig. 6. The instability can be observed in the other measured frequencies with a smaller amplitude, although its amplitude is larger in the  $f_{PLL}^{MG2}$  itself. The impact of frequency instability on the DC link voltage can be seen in Fig. 10(b), which in turn, spreads the instability to MG<sub>1</sub>. Fig. 10(c) and 10(d) show MG<sub>2</sub> support for MG<sub>1</sub> until  $t = 2 \text{ s}$ , then the instability appears. As a result, the obtained ranges for the parameters, e.g.  $K_i^{PLL2}$  presented in Section IV-A is necessary to maintain IMG stability.

2) *Voltage Instability for Case Study 2*: In this scenario, the MGs are isolated at the beginning. The MG<sub>1</sub> load increases at  $t = 0.5 \text{ s}$  from 60% to 100% of the rated MG<sub>1</sub> load. MG<sub>2</sub> sends 600 W and 300 VAR to MG<sub>1</sub> at  $t = 1 \text{ s}$  via BTBC<sub>12</sub> while  $v_{dc0}^{12} = 750 \text{ V}$ . MG<sub>3</sub> wants to send 600 W and 300 VAR to MG<sub>1</sub> at  $t = 2 \text{ s}$  via BTBC<sub>13</sub> in order to fully compensate the MG<sub>1</sub> overload, but with  $v_{dc0}^{13} = 700 \text{ V}$ . Since  $v_{dc0}^{13}$  is lower than the threshold as 750 V indicated in Fig. 8(d), the  $v_{dc}^{13}$  cannot track the reference and goes to a very low value as indicated in Fig. 11(a). The impact of the DC voltage instability on the active and reactive powers of DERs can be observed in Figs.

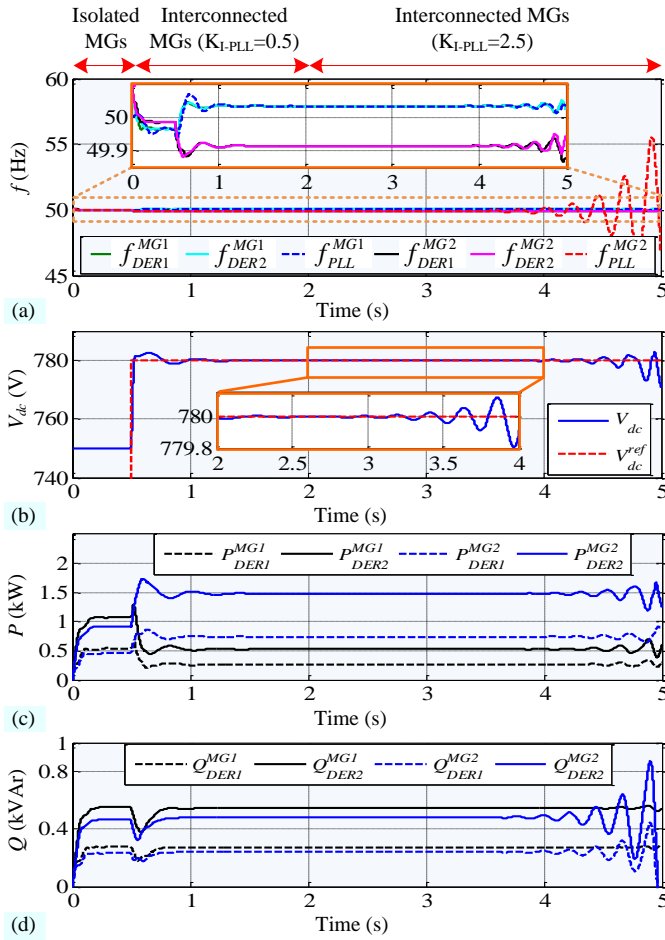


Fig. 10. Case study 1: (a) DER and phase-locked loop frequencies, (b) BTBC<sub>12</sub> DC voltage, (c) DER's active powers, (d) DER's reactive powers.

11(b) and 11(c). Such a transient voltage instability indicates the necessity of preserving the MSDVC for BTBC-IMGs.

3) *Power Flow Direction*: As mentioned in Section III-D, the initial DC voltage stability or MSDVC correlates with the BTBC power flow direction. In this scenario, the same power  $P_{12}^{ref} = 855 \text{ W}$  is considered to flow from MG<sub>2</sub> to MG<sub>1</sub> in Situation 1 and from MG<sub>1</sub> to MG<sub>2</sub> in Situation 2. In order to calculate the  $V_{dc0}$  stability margin, it is assumed that  $R_{dc} = 0 \Omega$  and  $\Delta T_{dc} = 0.01 \text{ s}$ . Then, employing (10) and using information in Table II,  $V_{dc0}^{S1} \geq 752.9 \text{ V}$  for Situation 1 and  $V_{dc0}^{S2} \geq 733.7 \text{ V}$  for Situation 2. Therefore, when the power flows from MG<sub>2</sub> to MG<sub>1</sub> as 855 W, the MSDVC equals to 752.9 V, while it is decreased to 733.7 V in Situation 2. For example,  $V_{dc0} = 740 \text{ V}$  can stabilize the two IMGs in Situation 2 (see Figs. 12(a) and 12(c)), but it cannot stabilize them in Situation 1 (see Figs. 12(a) and 12(b)). In Fig. 12, the two MGs are isolated until  $t = 1 \text{ s}$ . They are interconnected in the both Situations 1 and 2 at  $t = 1 \text{ s}$ . The transient stability is satisfied for Situation 2 due to a stabilizing  $V_{dc0}^{S2} = 740 \text{ V}$ , whereas it cannot be achieved in Situation 1 due to MSDVC violation for the  $V_{dc0}^{S1} = 740 \text{ V}$ . Therefore, the worse power direction must be considered for calculating MSDVC in order to stabilize IMGs under each power flow direction.

4) *Pre-charging Before Power Flow*: As mentioned in Section III-D, pre-charging the DC capacitor before power flow (base case in Table I) can be as a simple solution for

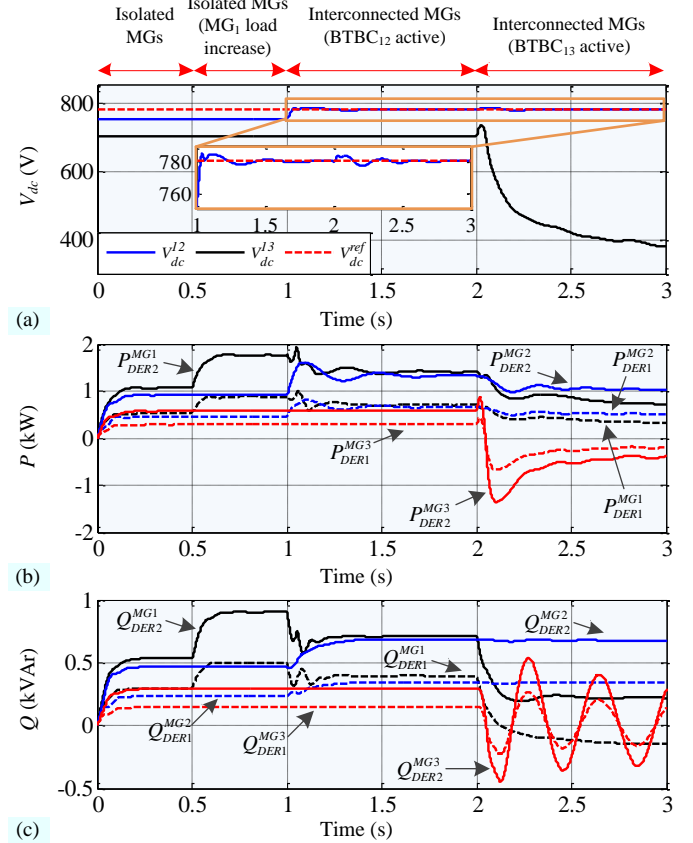


Fig. 11. Case study 2: (a) DC voltage of back-to-back converters, (b) active powers of DERs, (c) reactive powers of DERs.

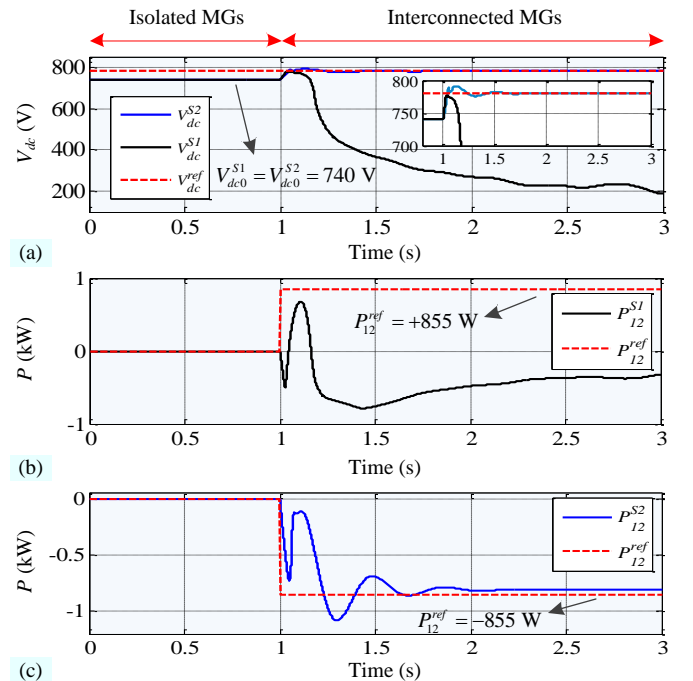


Fig. 12. Impact of the back-to-back converter power flow direction on the transient DC voltage stability: (a) BTBC<sub>12</sub> DC voltage, (b) Situation 1: power flow from MG<sub>2</sub> to MG<sub>1</sub>, (c) Situation 2: power flow from MG<sub>1</sub> to MG<sub>2</sub>.

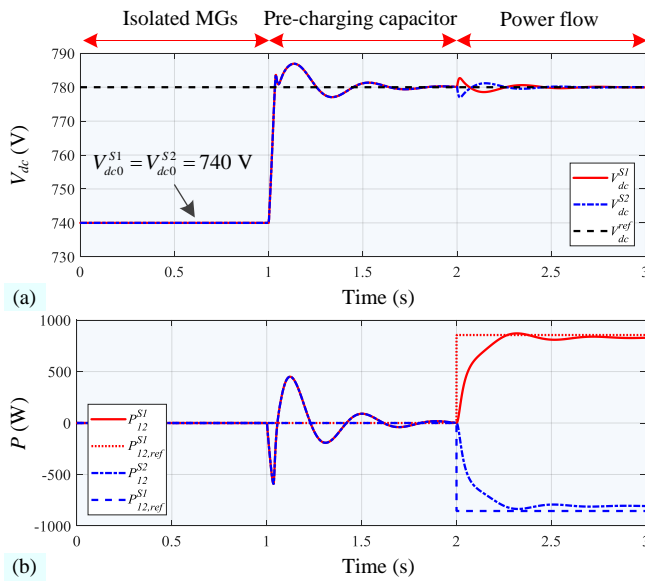


Fig. 13. Pre-charging the BTBC DC capacitor (Case study 1): (a) BTBC<sub>12</sub> DC voltage, (b) active power flow for both flow directions from MG<sub>2</sub> to MG<sub>1</sub> (S1), and from MG<sub>1</sub> to MG<sub>2</sub> (S2).

transient stability improvement in the case of enabling BTBC. Similar to the previous Section, the same power  $P_{ref}^{12} = 855$  W is considered to be flown from MG<sub>2</sub> to MG<sub>1</sub> (Situation 1) and from MG<sub>1</sub> to MG<sub>2</sub> (Situation 2) with same  $V_{dc0} = 740$  V. In contrast, the DC capacitor is charged before enabling power flow in [1 2] s for the both Situations. Then, power is flowing in [2 3] s. Fig. 13 shows the transient stability for the both Situations in comparison to Fig. 12, which the dc capacitor is not initially charged. Therefore, pre-charging the DC capacitor has a considerable improvement in the transient stability. Another important observation is decoupling the dynamics of the DC capacitor charge and the power flow. In both Figs. 13(a) and 13(b), the same dynamics can be seen for the capacitor charging in Situations 1 and 2 during [1 2] s and for the power flow symmetrically during [2 3] s.

5) *Initial Power Transfer Limit*: Here, initial PTL (IPTL) is considered as the transient stability criterion instead of MSDVC. In the all Scenarios, which applied as power exchange from MG<sub>2</sub> to MG<sub>1</sub> on Case study 1, the MGs are isolated before  $t = 1$  s, and then they are interconnected with different  $V_{dc0}$  and  $P_{ref}^{ij}$ . For  $V_{dc0} = 730$  V, IPTL<sub>1</sub> is obtained as 370 W by increasing  $P_{ref}^{ij}$  and checking for the stability. In the first Scenario,  $P_{ref}^{ij} = 114$  W, which is less than IPTL<sub>1</sub>. Hence, the DC voltage is transiently stable (Fig. 14(a), blue color), and the active power is settled on the reference after the oscillations (Fig. 14(b), blue color). In the second Scenario,  $P_{ref}^{ij} = 399$  W, which is a little larger than IPTL<sub>1</sub>. Therefore, the DC voltage will be unstable and the power cannot be stably exchanged (red color). For the same power reference,  $V_{dc0}$  is increased to 740 V in the third Scenario. The corresponding IPTL<sub>2</sub> to this new  $V_{dc0}$  is found as 712 W. Since  $P_{ref}^{ij} = 399$  W is less than IPTL<sub>2</sub>, the stability is preserved in this Scenario (black color). Finally, in order to validate IPTL<sub>2</sub>,  $P_{ref}^{ij} = 798$  W > IPTL<sub>2</sub> is considered. The instability can be seen in Fig. 14 (green color). As a result, IPTL can be another criterion of BTBC enabling transient stability, which has a close relation

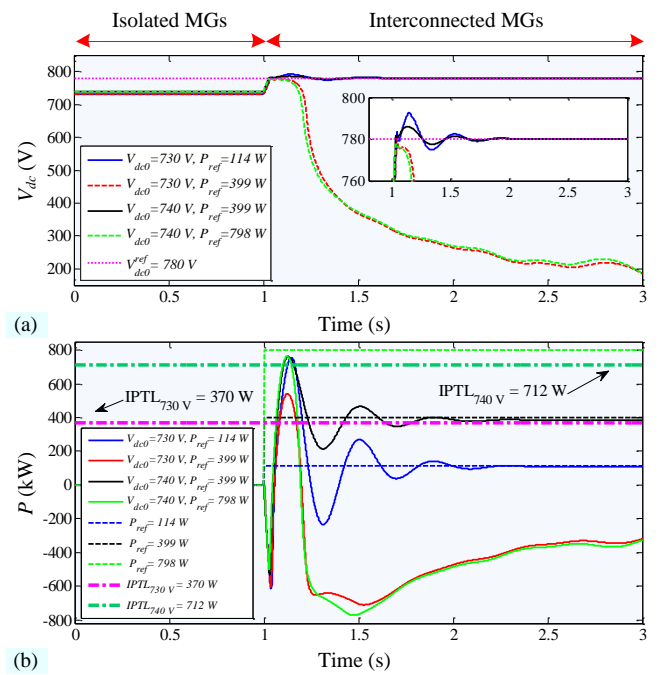


Fig. 14. Initial power transfer limit (IPTL) for two initial DC voltages as 730 V and 740 V (Case study 1): (a) BTBC<sub>12</sub> DC voltage, (b) active power flow.

with the initial dc voltage or MSDVC.

## V. CONCLUSION

This paper has investigated the stability analysis of fully power-electronics based IMGs comprising VSC-based DERs and power exchanger back-to-back converters. Such IMGs are identified based on the dynamic modes, specially the critical modes. In addition to droop gains, the back-to-back converters parameters are introduced as important participants in the dominant critical modes. According to the sensitivity analysis results, the DC voltage controller parameters, synchronizing PLL parameters and initial DC link voltage are able to destabilize IMGs. In contrast, the passive elements, including interlinking lines and both AC and DC sides of the back-to-back converters do not have a considerable contribution in the critical modes. Thus, the critical mode trajectories do not change remarkably by increasing the number of MGs and their interconnections. Nevertheless, the overall IMG security is reduced owing to the increased number of critical modes. The proposed transient stability assessment for initial DC voltage of the back-to-back converter proves a minimum stabilizing value as the stability margin, which is correlated severely to the power flow direction. As an important result, the back-to-back converters-based IMGs can be operated stable in different situations only by selecting appropriate parameter ranges.

## REFERENCES

- [1] R. H. Lasseter, "Smart distribution: Coupled microgrids," *Proc. IEEE*, vol. 99, no. 6, pp. 1074–1082, Jun. 2011.
- [2] H. Bevrani, B. François, and T. Ise, *Microgrid dynamics and control*. John Wiley & Sons, 2017.
- [3] D. E. Olivares, A. Mehrizi-Sani, A. H. Etemadi, C. A. Cañizares, R. Iravani, M. Kazerani, A. H. Hajimiragha, O. Gomis-Bellmunt, M. Saeedifard, R. Palma-Behnke *et al.*, "Trends in microgrid control," *IEEE Trans. Smart Grid*, vol. 5, no. 4, pp. 1905–1919, 2014.

- [4] Z. Bie, P. Zhang, G. Li, B. Hua, M. Meehan, and X. Wang, "Reliability evaluation of active distribution systems including microgrids," *IEEE Trans. Power Syst.*, vol. 27, no. 4, pp. 2342–2350, 2012.
- [5] F. Katiraei, R. Iravani, N. Hatziaziyriou, and A. Dimeas, "Microgrids management," *IEEE Power and Energy Mag.*, vol. 6, no. 3, pp. 54–65, 2008.
- [6] K. P. Schneider, N. Radhakrishnan, Y. Tang, F. K. Tuffner, C.-C. Liu, J. Xie, and D. Ton, "Improving primary frequency response to support networked microgrid operations," *IEEE Trans. Power Syst.*, vol. 34, no. 1, pp. 659–667, 2019.
- [7] M. Shahidehpour, Z. Li, S. Bahramirad, Z. Li, and W. Tian, "Networked microgrids: Exploring the possibilities of the iit-bronzeville grid," *IEEE Power and Energy Mag.*, vol. 15, no. 4, pp. 63–71, 2017.
- [8] Y. Zhang, L. Xie, and Q. Ding, "Interactive control of coupled microgrids for guaranteed system-wide small signal stability," *IEEE Trans. Smart Grid*, vol. 7, no. 2, pp. 1088–1096, 2016.
- [9] E. Pashajavid, A. Ghosh, and F. Zare, "A multimode supervisory control scheme for coupling remote droop-regulated microgrids," *IEEE Trans. Smart Grid*, vol. 9, no. 5, pp. 5381–5392, 2018.
- [10] M. J. Hossain, M. A. Mahmud, F. Milano, S. Bacha, and A. Hably, "Design of robust distributed control for interconnected microgrids," *IEEE Trans. Smart Grid*, vol. 7, no. 6, pp. 2724–2735, 2016.
- [11] X. Wu, Y. Xu, X. Wu, J. He, J. M. Guerrero, C.-C. Liu, K. P. Schneider, and D. T. Ton, "A two-layer distributed control method for islanded networked microgrid systems," *IEEE Trans. Smart Grid*, vol. 11, no. 2, pp. 942–957, 2019.
- [12] Z. Zhao, P. Yang, Y. Wang, Z. Xu, and J. M. Guerrero, "Dynamic characteristics analysis and stabilization of pv-based multiple microgrid clusters," *IEEE Trans. Smart Grid*, vol. 10, no. 1, pp. 805–818, 2019.
- [13] M. Naderi, Y. Khayat, Q. Shafiee, T. Dragicevic, F. Blaabjerg, and H. Bevrani, "An emergency active and reactive power exchange solution for interconnected microgrids," *IEEE J. Emerging and Sel. Topics in Power Electron.*, 2019, DOI: 10.1109/JESTPE.2019.2954113.
- [14] I. P. Nikolakakos and et al., "Stability evaluation of interconnected multi-inverter microgrids through critical clusters," *IEEE Trans. Power Syst.*, vol. 31, no. 4, pp. 3060–3072, 2016.
- [15] M. S. Golsorkhi, D. J. Hill, and H. R. Karshenas, "Distributed voltage control and power management of networked microgrids," *IEEE J. Emerging and Sel. Topics in Power Electron.*, vol. 6, no. 4, pp. 1892–1902, 2018.
- [16] K. P. Schneider, F. K. Tuffner, M. A. Elizondo, C.-C. Liu, Y. Xu, S. Backhaus, and D. Ton, "Enabling resiliency operations across multiple microgrids with grid friendly appliance controllers," *IEEE Trans. Smart Grid*, vol. 9, no. 5, pp. 4755–4764, 2018.
- [17] I. U. Nutkani, P. C. Loh, P. Wang, T. K. Jet, and F. Blaabjerg, "Intertied ac-ac microgrids with autonomous power import and export," *Int. J. Electr. Power & Energy Syst.*, vol. 65, pp. 385–393, 2015.
- [18] R. Zamora and A. K. Srivastava, "Multi-layer architecture for voltage and frequency control in networked microgrids," *IEEE Trans. Smart Grid*, vol. 9, no. 3, pp. 2076–2085, 2018.
- [19] J. Susanto, F. Shahnia, A. Ghosh, and S. Rajakaruna, "Interconnected microgrids via back-to-back converters for dynamic frequency support," in *IEEE Power Eng. Conf. (AUPEC)*, Sep. 2014, pp. 1–6.
- [20] H.-J. Yoo, T.-T. Nguyen, and H.-M. Kim, "Multi-frequency control in a stand-alone multi-microgrid system using a back-to-back converter," *Energies*, vol. 10, no. 6, p. 822, 2017.
- [21] N. Flourentzou, V. G. Agelidis, and G. D. Demetriades, "Vsc-based hvdc power transmission systems: An overview," *IEEE Trans. Power Electron.*, vol. 24, no. 3, pp. 592–602, 2009.
- [22] A. Yazdani and R. Iravani, *Voltage-sourced converters in power systems: modeling, control, and applications*. John Wiley & Sons, 2010.
- [23] J. H. Eto and et al., "Use of frequency response metrics to assess the planning and operating requirements for reliable integration of variable renewable generation," *Lawrence Berkeley National Laboratory*, 2011.
- [24] "Ieee guide for planning dc links terminating at ac locations having low short circuit capacities," *IEEE Std. 1204-1997*, 1997.
- [25] L. Pilotto, M. Szechtman, and A. Hammad, "Transient ac voltage related phenomena for hvdc schemes connected to weak ac systems," *IEEE Trans. Power Del.*, vol. 7, no. 3, pp. 1396–1404, 1992.
- [26] R. Aouini, B. Marinescu, K. B. Kilani, and M. Elleuch, "Stability improvement of the interconnection of weak ac zones by synchronverter-based hvdc link," *Electric Power Syst. Research*, vol. 142, pp. 112–124, 2017.
- [27] H. Latorre and M. Ghandhari, "Improvement of power system stability by using a vsc-hvdc," *Int. J. Electr. Power & Energy Syst.*, vol. 33, no. 2, pp. 332–339, 2011.
- [28] M. Pavella, D. Ernst, and D. Ruiz-Vega, *Transient stability of power systems: a unified approach to assessment and control*. Springer Science & Business Media, 2012.
- [29] A. Z. Khan and F. Shahzad, "A pc based software package for the equal area criterion of power system transient stability," *IEEE Trans. Power Syst.*, vol. 13, no. 1, pp. 21–26, 1998.
- [30] T. L. Vu and K. Turitsyn, "Lyapunov functions family approach to transient stability assessment," *IEEE Trans. Power Syst.*, vol. 31, no. 2, pp. 1269–1277, 2016.
- [31] J. James, D. J. Hill, A. Y. Lam, J. Gu, and V. O. Li, "Intelligent time-adaptive transient stability assessment system," *IEEE Trans. Power Syst.*, vol. 33, no. 1, pp. 1049–1058, 2018.
- [32] A. K. Alaboudy, H. H. Zeineldin, and J. Kirtley, "Microgrid stability characterization subsequent to fault-triggered islanding incidents," *IEEE Trans. Power Del.*, vol. 27, no. 2, pp. 658–669, 2012.
- [33] J. Alipoor, Y. Miura, and T. Ise, "Stability assessment and optimization methods for microgrid with multiple vsu units," *IEEE Trans. Smart Grid*, vol. 9, no. 2, pp. 1462–1471, 2018.
- [34] Z. Shuai, Y. Hu, Y. Peng, C. Tu, and Z. J. Shen, "Dynamic stability analysis of synchronverter-dominated microgrid based on bifurcation theory," *IEEE Trans. Ind. Electron.*, vol. 64, no. 9, pp. 7467–7477, 2017.
- [35] T.-C. Ou, "A novel nonsymmetrical faults analysis for microgrid distribution systems," *Int. J. Electr. Power & Energy Syst.*, vol. 43, no. 1, pp. 1017–1024, 2012.
- [36] F. Shahnia and A. Arefi, "Eigenanalysis-based small signal stability of the system of coupled sustainable microgrids," *Int. J. Electr. Power & Energy Syst.*, vol. 91, pp. 42–60, 2017.
- [37] F. Shahnia, "Stability and eigenanalysis of a sustainable remote area microgrid with a transforming structure," *Sustainable Energy, Grids and Netw.*, vol. 8, pp. 37–50, 2016.
- [38] Y. Zhang and L. Xie, "Online dynamic security assessment of microgrid interconnections in smart distribution systems," *IEEE Trans. Power Syst.*, vol. 30, no. 6, pp. 3246–3254, 2014.
- [39] R. Majumder and G. Bag, "Parallel operation of converter interfaced multiple microgrids," *Int. J. Electr. Power & Energy Syst.*, vol. 55, pp. 486–496, 2014.
- [40] M. Khederzadeh, H. Maleki, and V. Asgharian, "Frequency control improvement of two adjacent microgrids in autonomous mode using back to back voltage-sourced converters," *Int. J. Electr. Power & Energy Syst.*, vol. 74, pp. 126–133, 2016.
- [41] M. Naderi, Y. Khayat, Q. Shafiee, T. Dragicevic, H. Bevrani, and F. Blaabjerg, "Interconnected autonomous ac microgrids via back-to-back converters—part I: small-signal modeling," *IEEE Trans. Power Electron.*, vol. 35, no. 5, pp. 4728–4740, 2020.
- [42] R. Aouini, K. B. Kilani, B. Marinescu, and M. Elleuch, "Improvement of fault critical time by hvdc transmission," in *Eighth International Multi-Conference on Systems, Signals & Devices*, 2011, pp. 1–6.
- [43] M. K. Mishra and K. Karthikeyan, "A fast-acting dc-link voltage controller for three-phase dstatcom to compensate ac and dc loads," *IEEE Trans. Power Del.*, vol. 24, no. 4, pp. 2291–2299, 2009.
- [44] P. Kundur, N. J. Balu, and M. G. Lauby, *Power system stability and control*. McGraw-hill New York, 1994.
- [45] N. Pogaku, M. Prodanovic, and T. C. Green, "Modeling, analysis and testing of autonomous operation of an inverter-based microgrid," *IEEE Trans. Power Electron.*, vol. 22, no. 2, pp. 613–625, 2007.



**Mobin Naderi** (S'16) was born in Paveh, Iran. He received the B.Sc. and M.Sc. degrees in Electrical Engineering from Tabriz University, Iran, and Iran University of Science and Technology, Iran, in 2012 and 2014, respectively. He received the Ph.D. degree in the control of modern power systems from University of Kurdistan, Iran in 2019. He was a Visiting PhD student with Department of Energy Technology, Aalborg University, Denmark. He is now working toward the Ph.D. degree in the control of power systems from the University of Kurdistan, Iran. His

research interests focus on modeling, stability and control of autonomous and interconnected microgrids.



application of power electronics in distributed systems.

**Yousef Khayat** (S'16) received the B.Sc. degree from Urmia University, Urmia, Iran, and the M.Sc. degree (with Hons.) from Iran University of Science and Technology (IUST), Tehran, Iran, both in Electrical Engineering in 2012 and 2014, respectively. He is working toward the Ph.D. degree in control of power systems at the University of Kurdistan, Iran. He is also currently a Ph.D. Visiting Student with Aalborg University, Aalborg, Denmark. His research interests include Microgrid dynamics and control, robust, predictive and nonlinear control for



Technology (Japan), Centrale Lille (France), and Technical University of Berlin (Germany). Prof. Bevrani is the author of 6 international books, 15 book chapters, and more than 300 journal/conference papers. His current research interests include smart grid operation and control, power systems stability and optimization, Microgrid dynamics and control, and Intelligent/robust control applications in power electric industry.

**Hassan Bevrani** (S'90 - M'04 - SM'08) received PhD degree in electrical engineering from Osaka University (Japan) in 2004. Currently, he is a full professor and the Program Leader of Smart/Micro Grids Research Center (SMGRC) at the University of Kurdistan (UOK). From 2016 to 2019 he was the UOK vice-chancellor for research and technology. Over the years, he has worked as senior research fellow and visiting professor with Osaka University, Kumamoto University (Japan), Queensland University of Technology (Australia), Kyushu Institute of



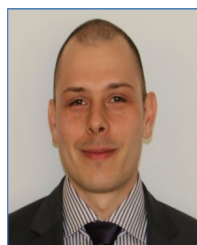
Post-Doctoral Fellow with the Department of Energy Technology, Aalborg University in 2015. His current research interests include modeling, energy management, control of power electronics-based systems and microgrids, and model predictive and optimal control of modern power systems.

**Qobad Shafiee** (S'13-M'15-SM'17) received PhD degree in electrical engineering from the Department of Energy Technology, Aalborg University (Denmark) in 2014. He is currently an Assistant Professor, Director of International Relations, and the Program Co-Leader of the Smart/Micro Grids Research Center at the University of Kurdistan, Sanandaj, Iran, where he was a lecturer from 2007 to 2011. In 2014, he was a Visiting Scholar with the Electrical Engineering Department, the University of



His current research interests include power electronics and its applications such as in wind turbines, PV systems, reliability, harmonics and adjustable speed drives. He has published more than 600 journal papers in the fields of power electronics and its applications. He is the co-author of four monographs and editor of ten books in power electronics and its applications.

**Frede Blaabjerg** (S'86-M'88-SM'97-F'03) was with ABB-Scandia, Randers, Denmark, from 1987 to 1988. From 1988 to 1992, he got the PhD degree in Electrical Engineering at Aalborg University in 1995. He became an Assistant Professor in 1992, an Associate Professor in 1996, and a Full Professor of power electronics and drives in 1998. From 2017 he became a Villum Investigator. He is honoris causa at University Politehnica Timisoara (UPT), Romania and Tallinn Technical University (TTU) in Estonia.



University, UK during spring/summer of 2018. His research interest is application of advanced control, optimization and artificial intelligence inspired techniques to provide innovative and effective solutions to emerging challenges in design, control and cyber-security of power electronics intensive electrical distributions systems and microgrids. He has authored and co-authored more than 200 technical publications (more than 100 of them are published in international journals, mostly in IEEE), 8 book chapters and a book in the field.

**Tomislav Dragičević** (S'09-M'13-SM'17) received the M.Sc. and the industrial Ph.D. degrees in Electrical Engineering from the Faculty of Electrical Engineering, University of Zagreb, Croatia, in 2009 and 2013, respectively. From 2013 until 2016 he has been a Postdoctoral researcher at Aalborg University, Denmark. From 2016 until 2020 he was an Associate Professor at Aalborg University, Denmark. From 2020 he is a Professor at the Technical University of Denmark.

He serves as an Associate Editor in the IEEE TRANSACTIONS ON INDUSTRIAL ELECTRONICS, in IEEE TRANSACTIONS ON POWER ELECTRONICS, in IEEE Emerging and Selected Topics in Power Electronics and in IEEE Industrial Electronics Magazine. Dr. Dragičević is a recipient of the Končar prize for the best industrial PhD thesis in Croatia, a Robert Mayer Energy Conservation award, and he is a winner of an Alexander von Humboldt fellowship for experienced researchers.

He has received 32 IEEE Prize Paper Awards, the IEEE PELS Distinguished Service Award in 2009, the EPE-PEMC Council Award in 2010, the IEEE William E. Newell Power Electronics Award 2014, the Villum Kann Rasmussen Research Award 2014 and the Global Energy Prize in 2019. He was the Editor-in-Chief of the IEEE TRANSACTIONS ON POWER ELECTRONICS from 2006 to 2012. He has been Distinguished Lecturer for the IEEE Power Electronics Society from 2005 to 2007 and for the IEEE Industry Applications Society from 2010 to 2011 as well as 2017 to 2018. In 2019-2020 he serves a President of IEEE Power Electronics Society. He is Vice-President of the Danish Academy of Technical Sciences too. He is nominated in 2014-2018 by Thomson Reuters to be between the most 250 cited researchers in Engineering in the world.