



Aalborg Universitet

AALBORG UNIVERSITY
DENMARK

Computational Fluid Dynamics Study on the Influence of Airflow Patterns on Carbon Dioxide Distribution in a Scaled Livestock Building

Rong, Li; Nielsen, Peter V.; Tong, Guohong; Ravn, Peter; Zhang, Guoqiang

Published in:
AgEng2008 : International Conference on Agricultural Engineering

Publication date:
2008

Document Version
Publisher's PDF, also known as Version of record

[Link to publication from Aalborg University](#)

Citation for published version (APA):
Rong, L., Nielsen, P. V., Tong, G., Ravn, P., & Zhang, G. (2008). Computational Fluid Dynamics Study on the Influence of Airflow Patterns on Carbon Dioxide Distribution in a Scaled Livestock Building: . In *AgEng2008 : International Conference on Agricultural Engineering: Agricultural & Biosystems Engineering for a Sustainable World : Knossos Royal Village, Hersonissos - Crete, 23-25 June 2008, Greece : Book of Abstracts* (pp. 34-35). AgEng.

General rights

Copyright and moral rights for the publications made accessible in the public portal are retained by the authors and/or other copyright owners and it is a condition of accessing publications that users recognise and abide by the legal requirements associated with these rights.

- ? Users may download and print one copy of any publication from the public portal for the purpose of private study or research.
- ? You may not further distribute the material or use it for any profit-making activity or commercial gain
- ? You may freely distribute the URL identifying the publication in the public portal ?

Take down policy

If you believe that this document breaches copyright please contact us at vbn@aub.aau.dk providing details, and we will remove access to the work immediately and investigate your claim.

COMPUTATIONAL FLUID DYNAMICS STUDY ON THE INFLUENCE OF AIRFLOW PATTERNS ON CARBON DIOXIDE DISTRIBUTION IN A SCALED LIVESTOCK BUILDING

Li Rong¹, Peter V. Nieslen^{1*}, Guohong Tong², Peter Ravn³, Guoqiang Zhang³

¹ Department of Civil Engineering, Aalborg University, Sohngaardsholmsvej 57, DK-9000 Aalborg e-mail: pvn@civil.aau.dk

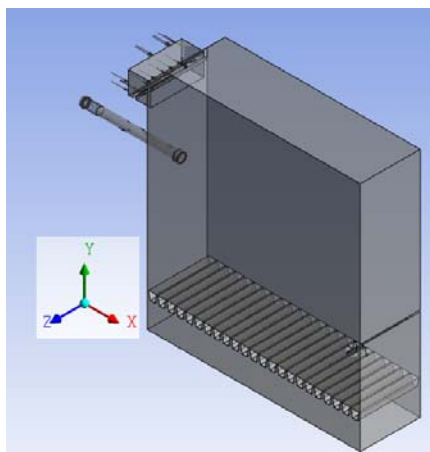
² College of Water Conservancy, Shenyang Agricultural University, Shenyang 110161, China e-mail: guohongtong@yahoo.com.cn

³ Department of Agricultural Engineering, Research Centre Bygholm, University of Aarhus, Schuttvej 17, DK-8700 Horsens, Denmark, e-mail: guoqiang.zhang@agrsci.dk

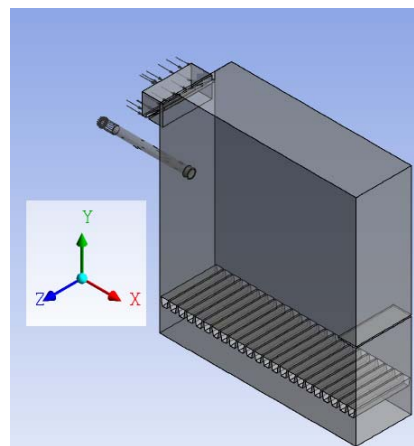
Airflow patterns and airflow rate have an important influence on contaminant distribution in swine buildings. The objective of this paper is to model and evaluate the effect of airflow rates and airflow patterns on CO₂ concentration distribution. Contaminant sources are assumed to be modeled as a constant concentration on the manure surface. Three different ventilation rates and three different deflector degrees are studied, in which the deflector is used to change the airflow patterns. A CFD (Computational Fluid Dynamics) commercial software code has been applied to simulate the air velocity and contaminant distribution. Experimental data of tracer gas concentration distribution in the chamber are obtained to validate the turbulence model in CFD software. Simulation results show that different ventilation rates and airflow patterns effect the contaminant distribution within the room. With increasing the airflow rate, the emission of CO₂ will increase and the dimensionless CO₂ concentration above the slatted floor will also increase slightly, while the absolute CO₂ concentration in the room will decrease with increasing the airflow rate. Here the dimensionless CO₂ concentration

is defined as: $c^* = \frac{c - c_0}{c_r - c_0}$, and c^* is the dimensionless CO₂ concentration, c is the CO₂

concentration in the room, c_0 is the inlet CO₂ concentration, c_r is the outlet CO₂ concentration.



(a) 45 degree's deflector



(b) 90 degree's deflector

Figure 1 model for simulation

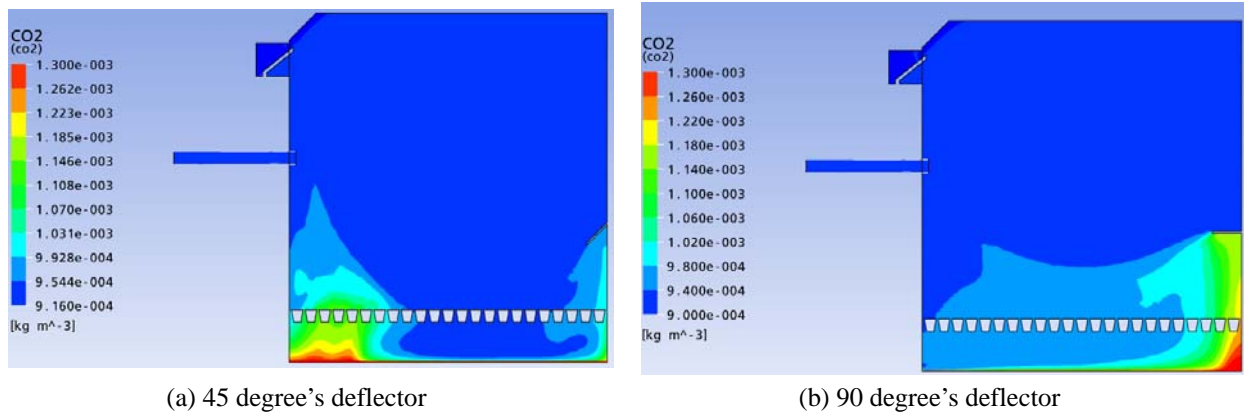


Figure 2 CO₂ concentration distribution in the middle plane with Z=0.31m

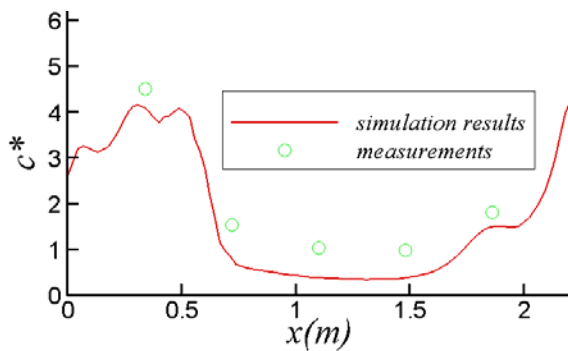


Figure 3 Comparison of dimensionless CO₂ concentration between simulation result and measurement above the slatted floor of y=0.51m with 45 degree's deflector

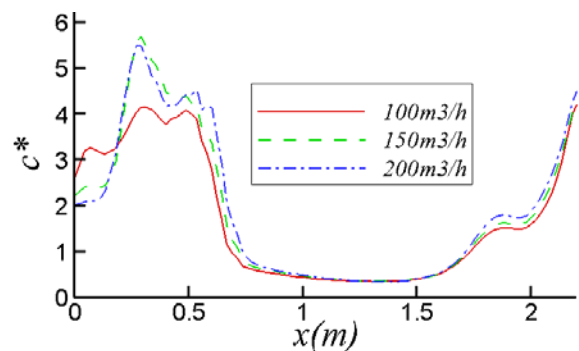


Figure 4 Comparison of dimensionless CO₂ concentration among three various airflow rates along the line y=0.51m above the slatted floor with 45 degree's deflector

Reference

1. Jiqin Ni, Albert J. Helber, Daniel T. Kelly and Alan L. Sutton. Mechanism of Gas Release from Liquid Swine Wastes. ASAE Meeting Paper No. 01-4091. ST. Joseph, Mich. : ASAE.
2. Jiqin Ni, Christiaan Vinckier, Jos Hendriks, Jan Coenegrachts. Production of carbon dioxide in a fattening pig house under field conditions. II. Release from the manure. *Atmospheric Environment*. 1999, 33, 3697-3703.
3. Heber A J, Boon C R, Peugh M V. Air Patterns and Turbulence in an Experimental Livestock Building. *Journal of Agricultural Engineering Research*. 1996, 64, 209-226.
4. B. Bjerg, S. Morsing, K. Svidt, G. Zhang. Three-dimensional Airflow in a Livestock Test Room with Two-dimensional Boundary Conditions. *Journal of Agricultural Engineering Research*. 1999, 74, 267-274.
5. P. V. Nielsen. The selection of Turbulence models for prediction of room airflow. *ASHARE Transactions*. 1998, 104, Part 1B, 1119-1127.
6. P. V. Nielsen. Computational fluid dynamics and room air movement. *Indoor Air*. 2004, 14, 134-143.
7. Zhang G, Morsing S., Bjerg B., Svidt K., Strøm J.S.. Test room for validation of airflow patterns estimated by computational fluid dynamics. *Journal of Agricultural Engineering Research*. 2000, 76, 141-148.