



Storage Systems for Large Wind Turbines

Swierczynski, Maciej Jozef; Teodorescu, Remus; Rasmussen, Claus Nygaard; Rodriguez, Pedro

Publication date:
2009

Document Version
Publisher's PDF, also known as Version of record

[Link to publication from Aalborg University](#)

Citation for published version (APA):
Swierczynski, M. J., Teodorescu, R., Rasmussen, C. N., & Rodriguez, P. (2009). *Storage Systems for Large Wind Turbines*. Poster presented at PhD Seminar on Wind Energy in Europe, Durham, United Kingdom.

General rights

Copyright and moral rights for the publications made accessible in the public portal are retained by the authors and/or other copyright owners and it is a condition of accessing publications that users recognise and abide by the legal requirements associated with these rights.

- Users may download and print one copy of any publication from the public portal for the purpose of private study or research.
- You may not further distribute the material or use it for any profit-making activity or commercial gain
- You may freely distribute the URL identifying the publication in the public portal -

Take down policy

If you believe that this document breaches copyright please contact us at vbn@aub.aau.dk providing details, and we will remove access to the work immediately and investigate your claim.

Storage Systems for Large Wind Turbines

Challenges



2nd Annual Symposium on Grid Integration of Wind Power
Vestas Power Programme
Sept. 7th, 2009 Terrassa/Barcelona, Spain

Objectives

- Make the wind power plant to appear and behave like conventional power plant.
- Move the wind power plant to the sector where it can be considered as more reliable and controllable source of energy.
- Better correlation between actual market energy price and actual wind power generation.
- Offer various services to the power system.

- Energy storage for Wind Power System – state of the art, especially present situation and trends.
- Services that energy storage technologies can provide to the WPP and power system.
- Modeling of wind and the most relevant storage technologies and their services.
- Evaluation of obtained results.
- Laboratory validation of different storage techniques and storage managements.

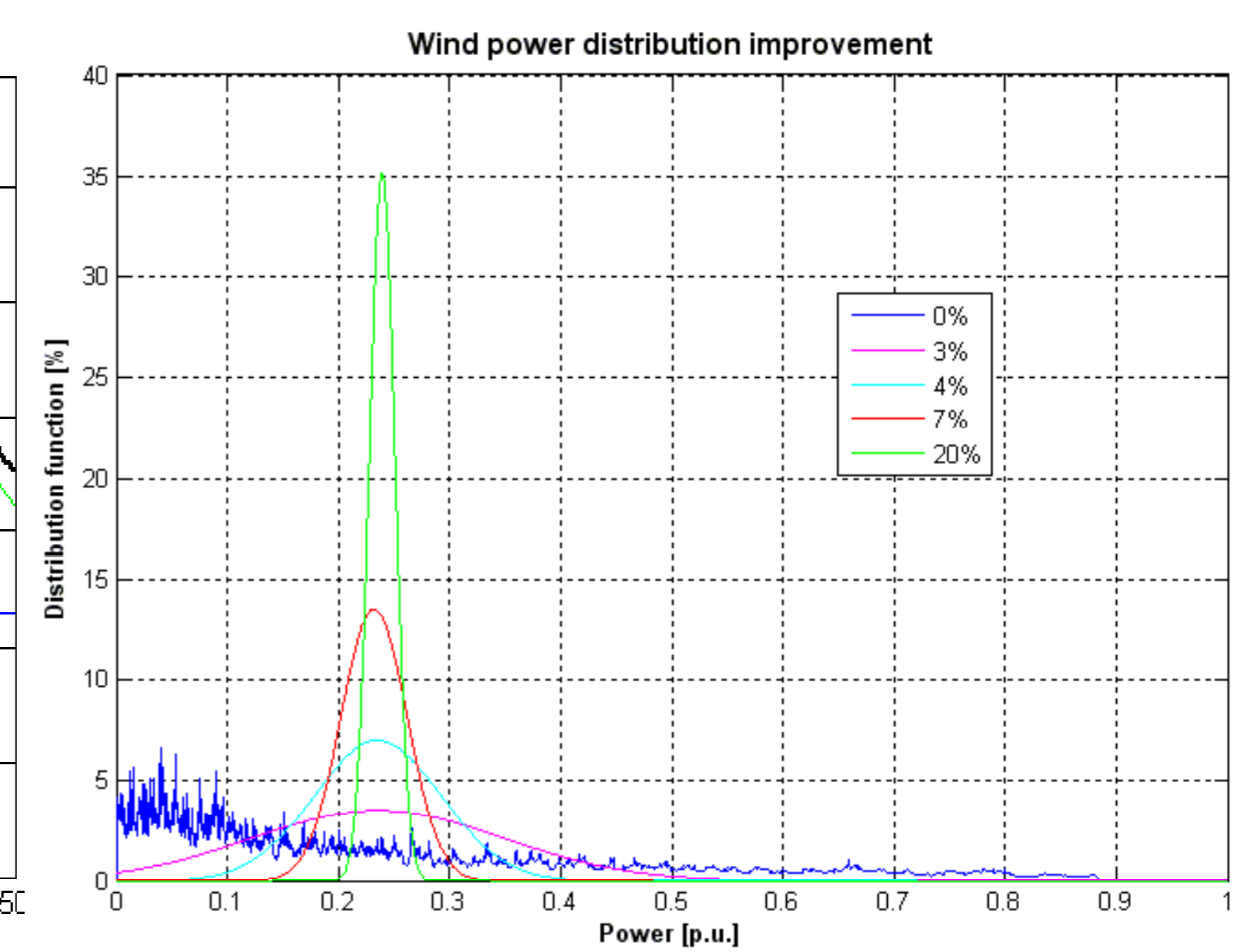
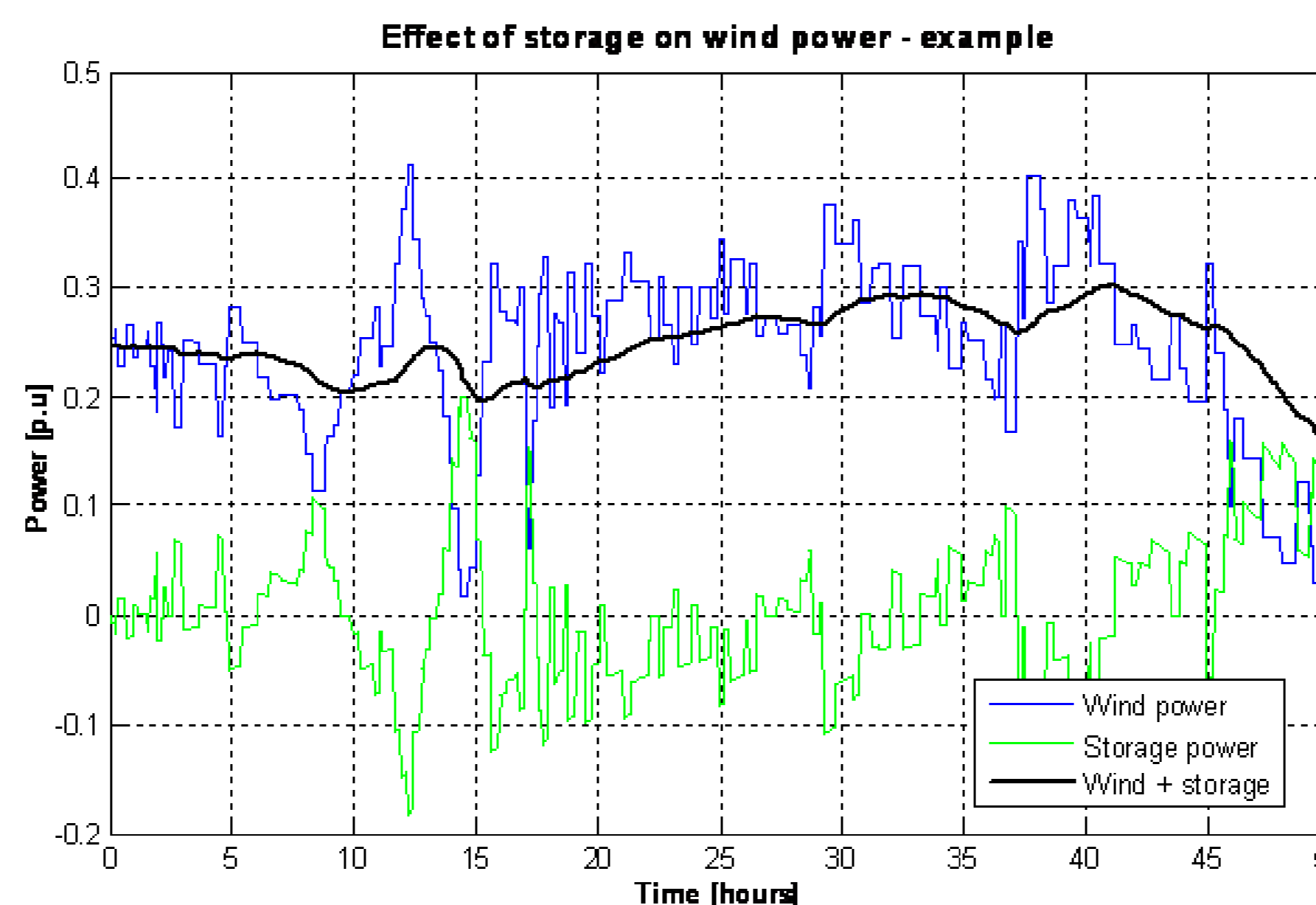
Main Services that can be offered by ES

Services that can be offered to WPP:

- higher availability, predictability and smaller variability
- black start without assistance from a grid
- energy arbitrage
- peak shaving
- production leveling

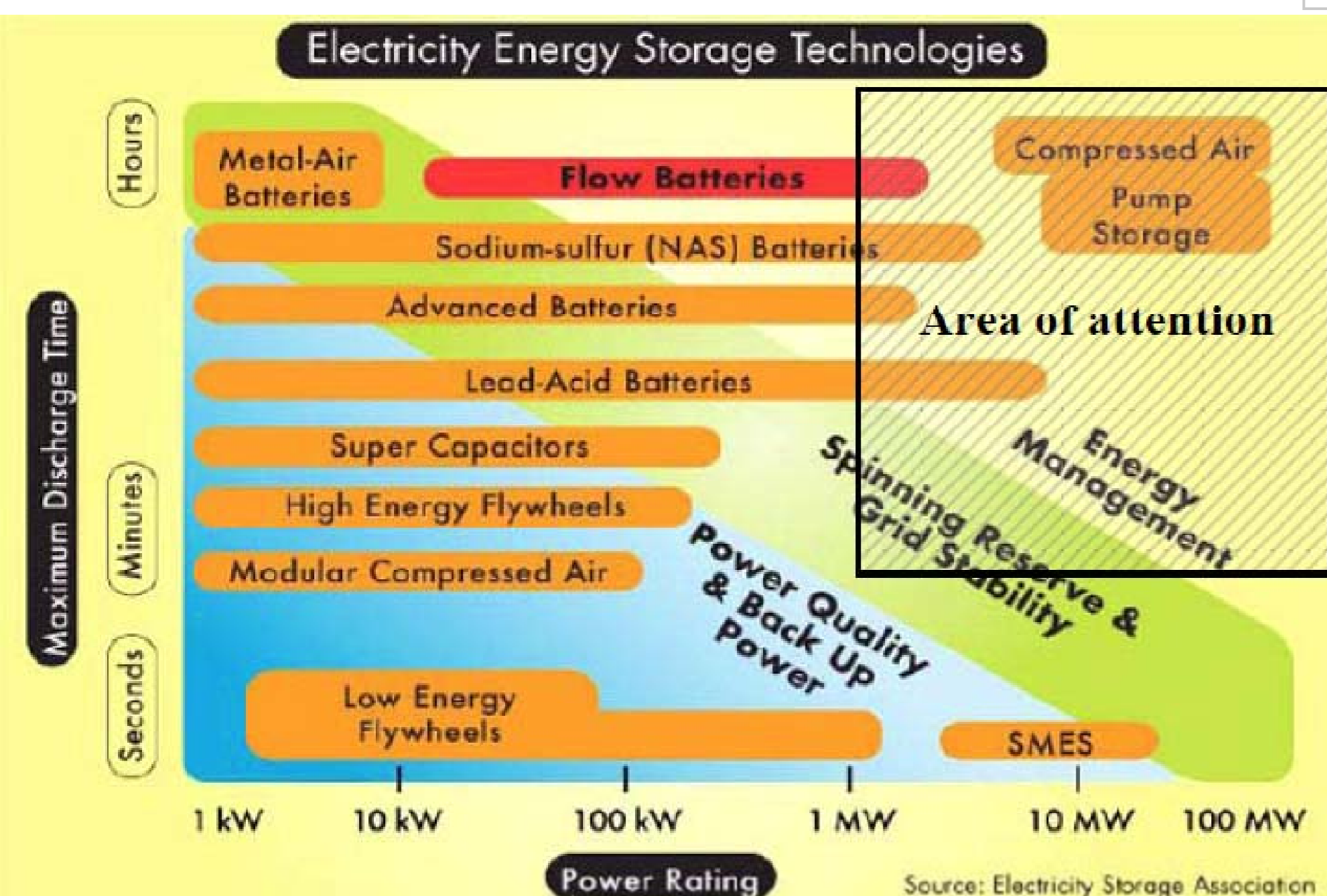
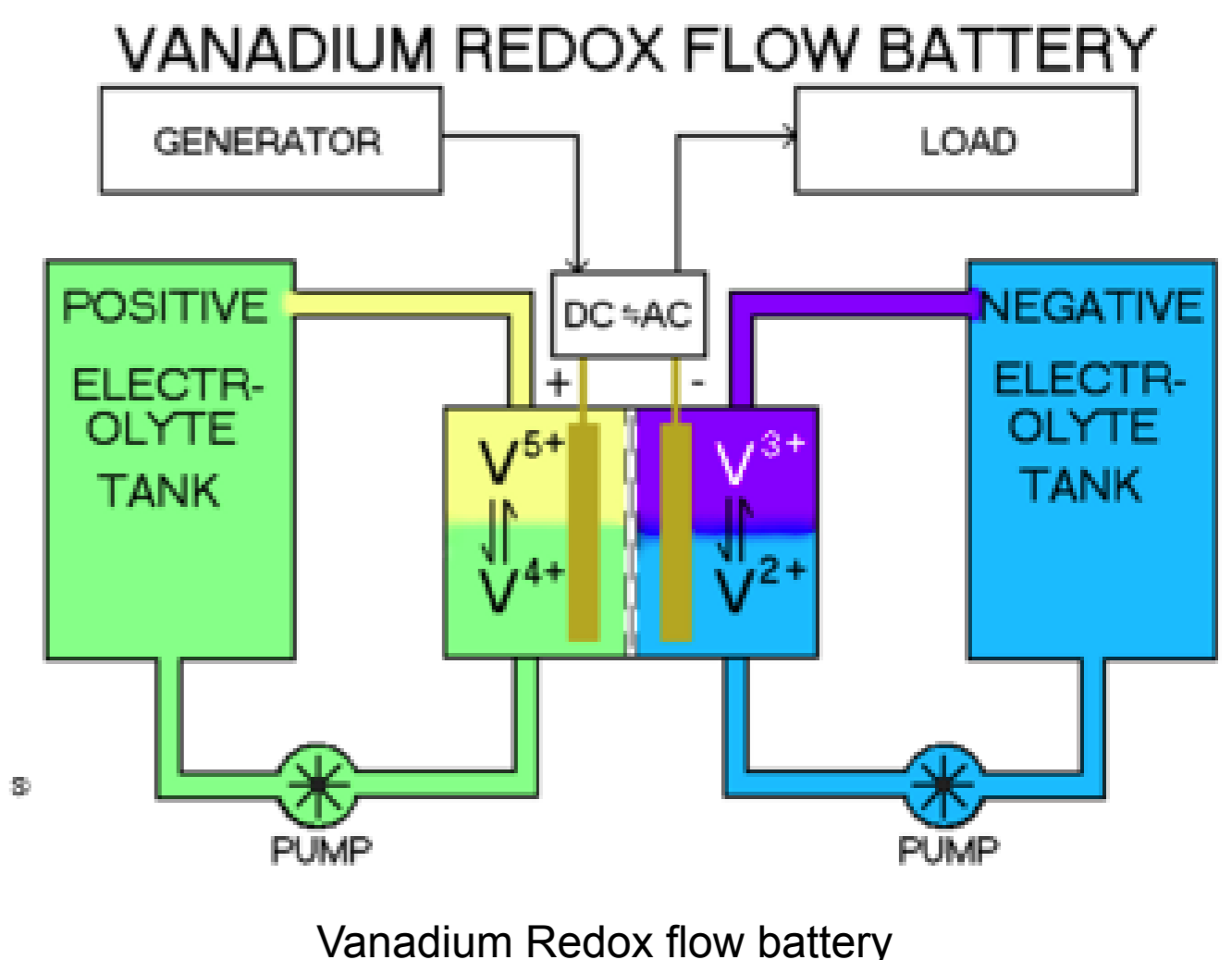
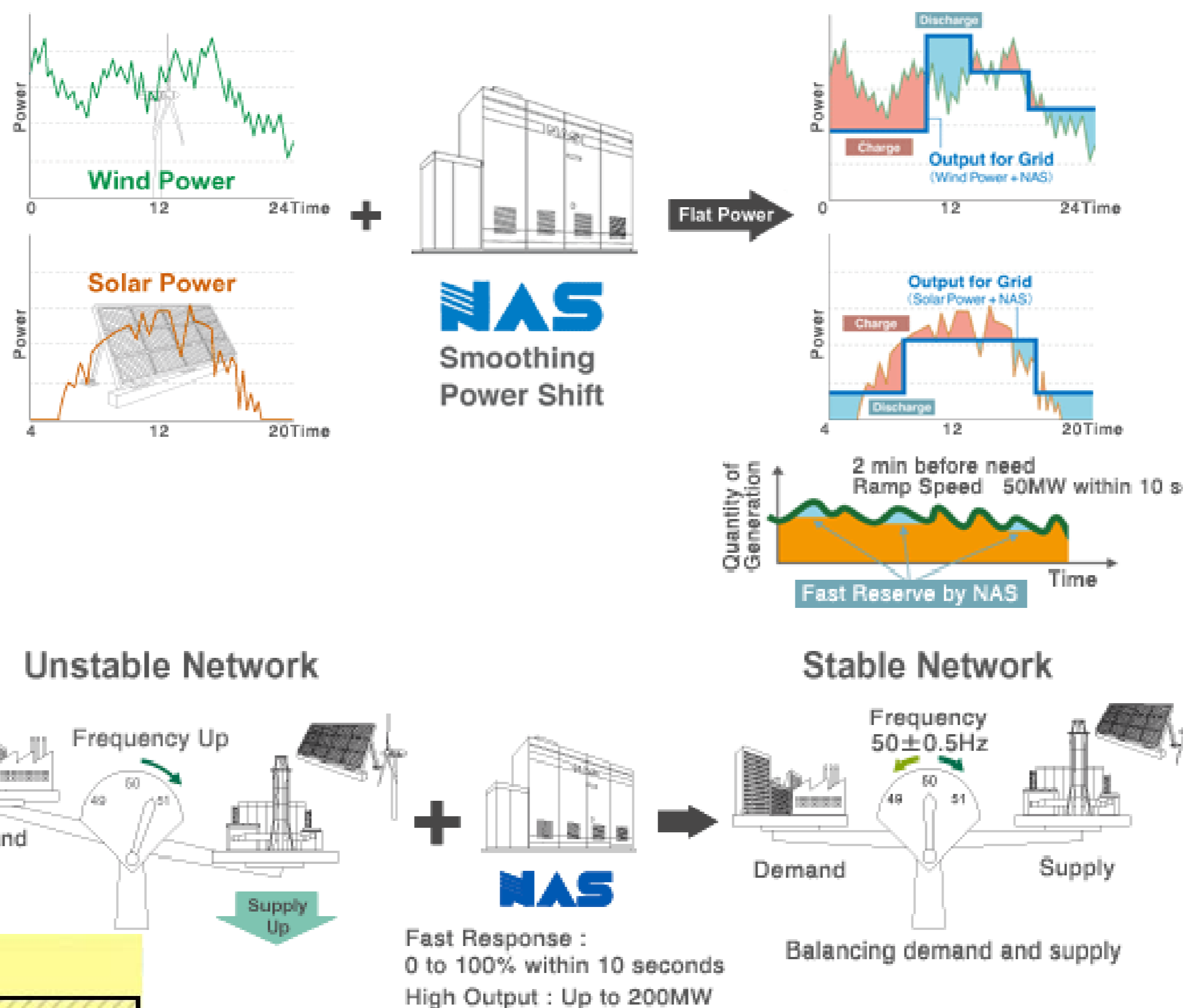
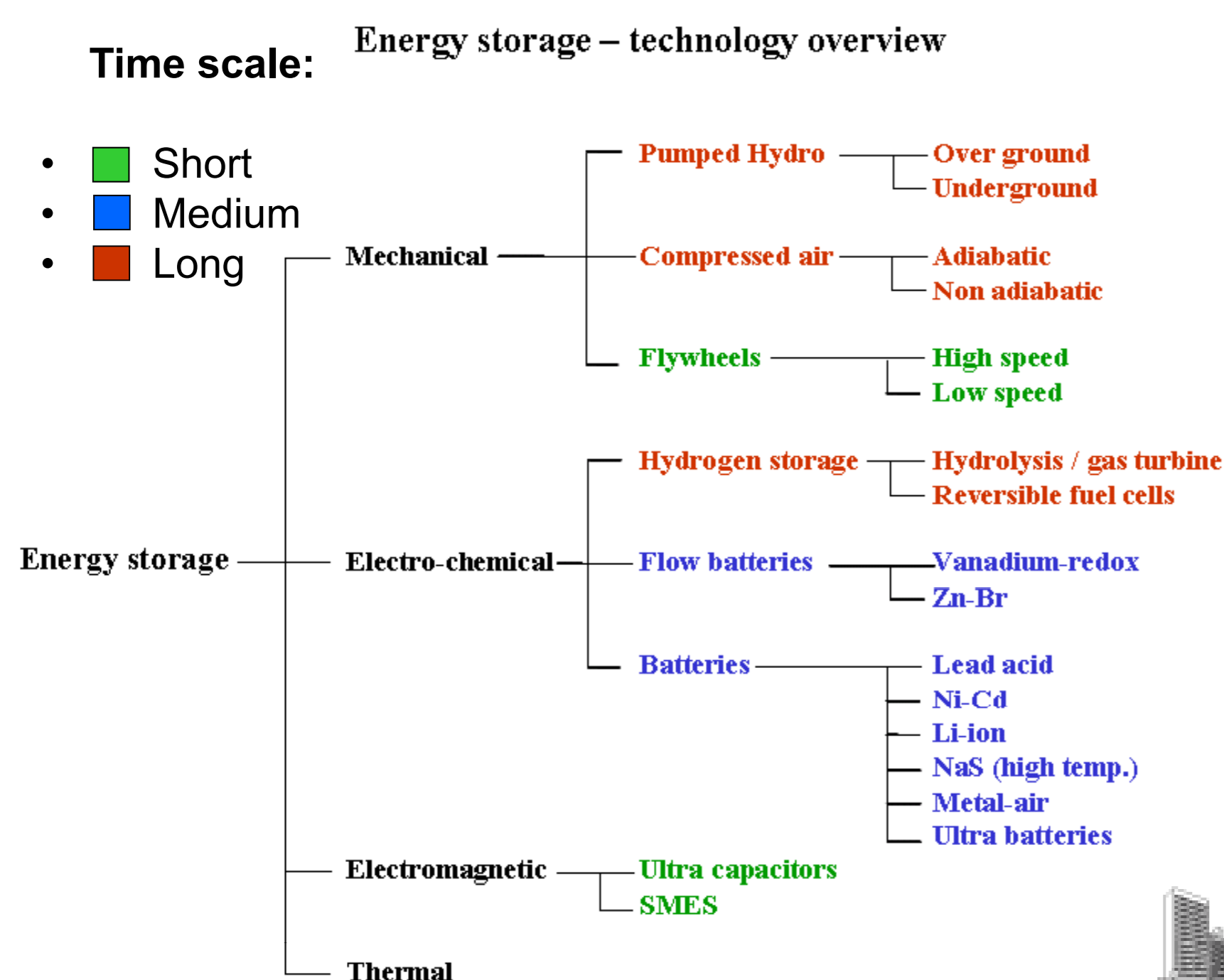
Services that can be offered to the grid:

- frequency control
- regulating reserves
- spinning reserve
- voltage control
- soft stop



Source: Improving wind power quality with energy storage, C. Rasmussen

Some significant technologies



PhD Preliminary Goals:

- State of the art and provisional study plan
- Modeling of relevant storage technologies and services
- Test case studies of services offered by Energy Storage
- Laboratory validation of energy management strategies

Future work:

